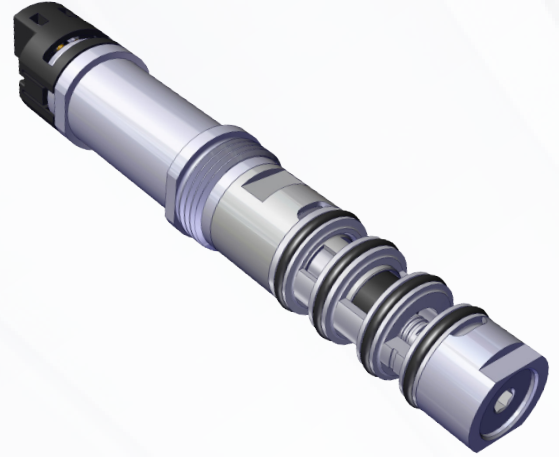




LBV Double Diaphragm for Liquid Applications

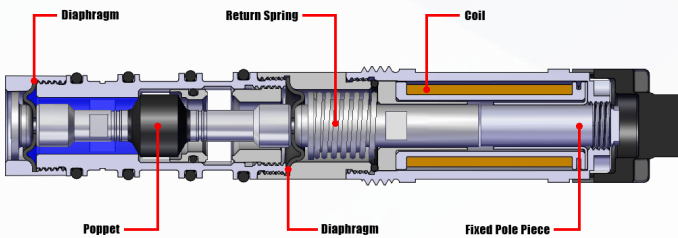
MAC Valves Series Liquid Bullet Valve®

- Balanced Design
- 0-120 PSI pressure range (200 with mod on some series)
- Good for applications with a varying pressures
- Liquids or gases
- Variety of metals, plastics and rubbers
- 3 way, 2 way
- Extremely accurate liquid dispensing
- Different flows available
- Compatible with different kind of gases and liquids



Liquid Bullet Valve® Double Diaphragm

LBV DOUBLE DIAPHRAGM CUTAWAY



OPERATIONAL BENEFITS

- ✓ Short stroke with high shifting forces
- ✓ Balanced poppet, immune to pressure fluctuations
- ✓ Extremely repeatable
- ✓ Solenoid isolated from wetted area
- ✓ Innovative design with very few parts
- ✓ Extremely long life
- ✓ Unique mounting - no fasteners or screws required
- ✓ Low power solutions available
- ✓ Plastic bodies and bases available
- ✓ Custom manifold designs

APPLICATIONS / MEDIA

- ✓ Medical - Dialysis
- ✓ Printing - Ink
- ✓ Test Equipment - Gases
- ✓ Food & Beverage - Water/CO2
- ✓ Agriculture - Water / Fertilizer
- ✓ And Many Others

MAC Valves - Highly engineered solutions for the highest performing applications since 1948



MAC Valves Inc, Wixom, Michigan - MAC Valves Inc, Dundee, Michigan
MAC Valves Europe Inc, Liège, Belgium - MAC Valves Asia Inc, Taiwan

To find your local distributor, visit www.macvalves.com





High Precision LBV Double Diaphragm for Liquid Applications

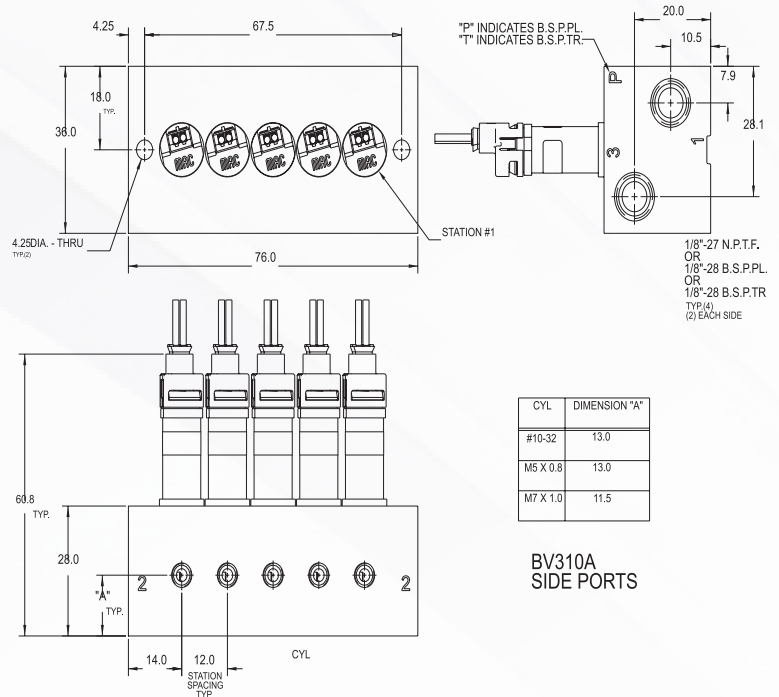
MAC Valves Series Liquid Bullet Valve®

TECHNICAL DATA

	BVX10	BVX14	BVX21
Wattage (W)	1.8 - 16	1.8 - 16	1.8 - 16
Pressure (PSI)	0 - 120	0 - 120	0 - 120
Air flow (Cv)	Up to 0.15	Up to 0.4	Up to 1.0
Liquid flow (G/min)	0 - 1.30	0 - 3.0	0 - 5.0
Fluid:	Compressed air, vacuum, gases, fluids		

DIMENSIONS

All Dimensions are metric



MAC VALVES SOLUTIONS - HOW TO ORDER

According to your application requirements, your distributor will help you select the appropriate valve to meet your needs. Very high flexibility in manifold footprint.

CHECK OUT OUR LBV PLAYLIST ON YOUTUBE !



3500 factory certified specialists in over 45 countries focused on optimizing customers needs

MAC Valves Inc, Wixom, Michigan - MAC Valves Inc, Dundee, Michigan

MAC Valves Europe Inc, Liège, Belgium - MAC Valves Asia Inc, Taiwan

To find your local distributor, visit www.macvalves.com

