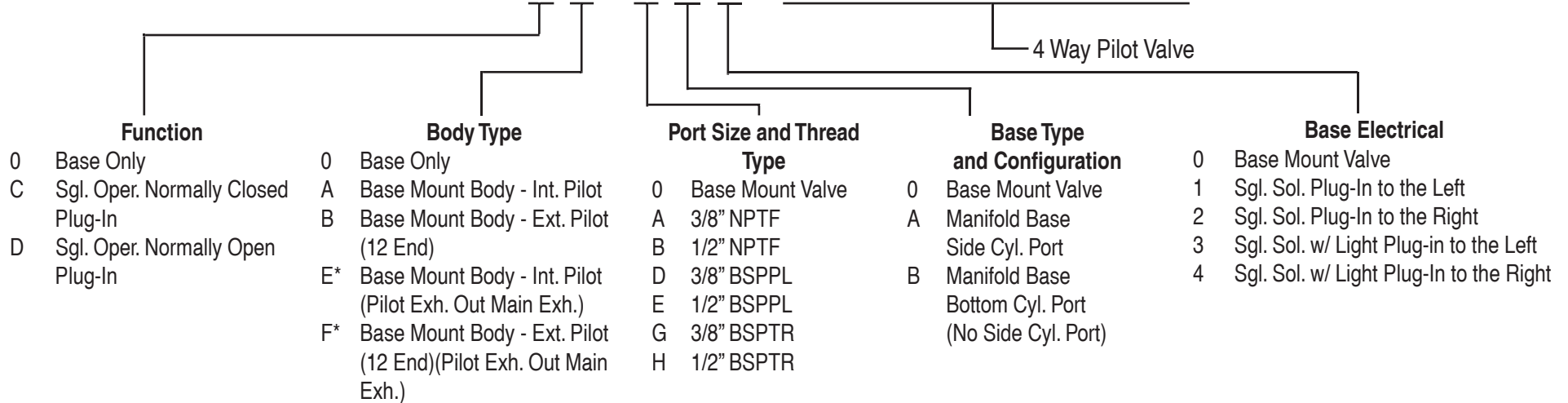


How To Order

54 Series Valve (MACConnect)

54A - X X - X X X - XX - X XX X - X XX

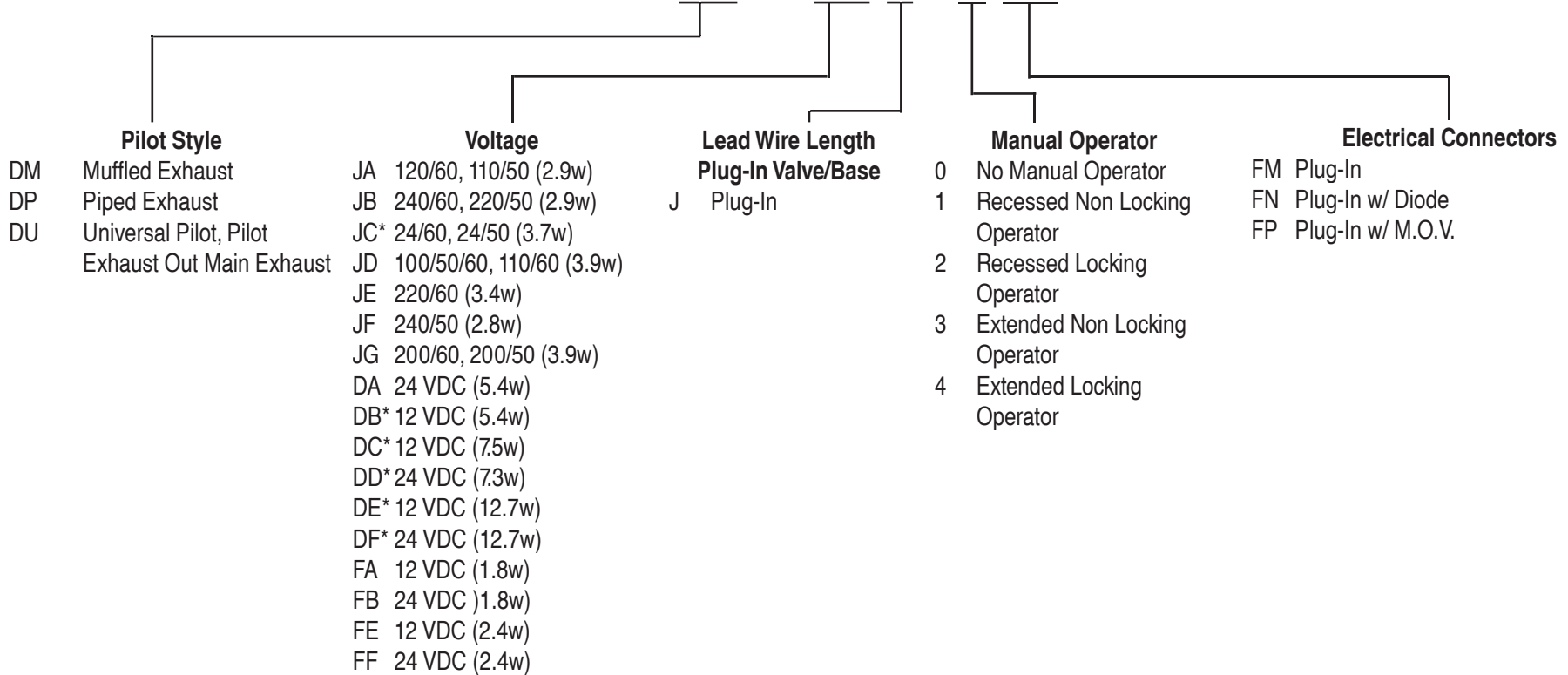


*Must use "DU" Pilot Body - Main Exhaust Cannot Be Restricted

Note: For Negative Commons (PNP), use MOD. 1705 after Model Number

How To Order Pilot Valve For 54 Series (Plug-In/MACConnect Manifolds)

XX - DXX X - X XX



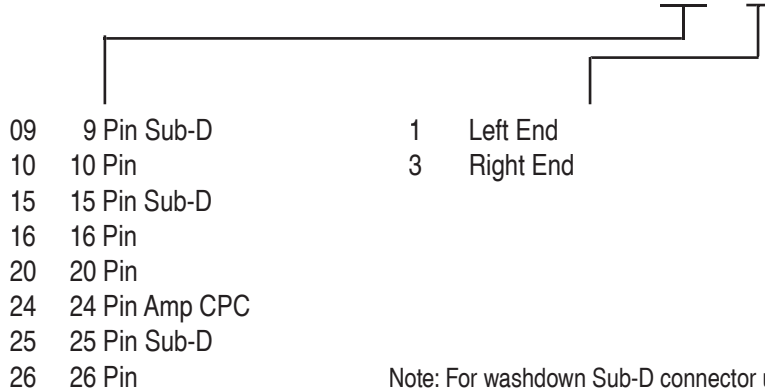
* Not Available for MACConnect

54 MAConnect™

How to Order Adapters / End Plate Kit

MAConnect™ Adapter Assembly

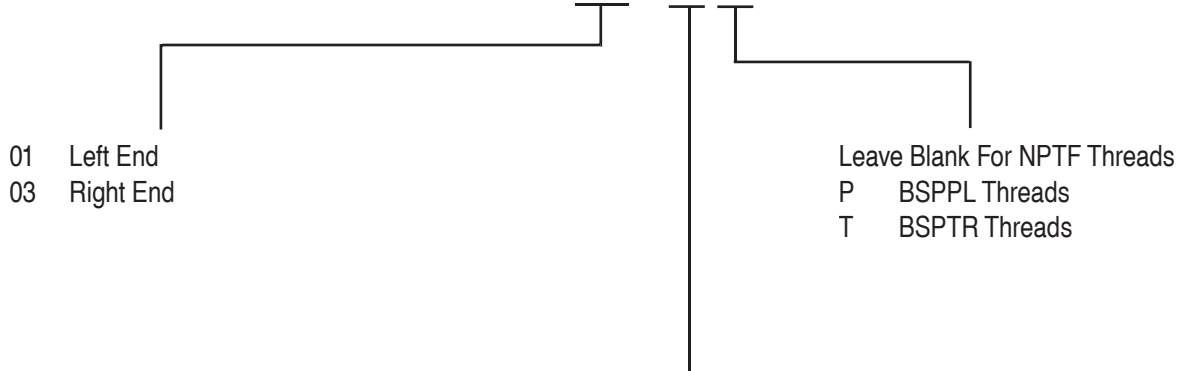
M-54002 - XX - X



Note: For washdown Sub-D connector use MOD 532M after model number.
For negative commons, use MOD. 1705 after model number.

MAConnect™ Fastening End Plate Kit

M-54003 - XX - 01 X



Note: "01" should be used only when the Fastening End Plate Kit is ordered separately. When the kit is ordered with an assembly this number will change to indicate the number of valves in the stack.

Example of MAConnect™ Assembly

- (1) M-54002-25-1
- (6) 54A-CA-AA1-DM-DDAJ-1FM
- (1) M-54003-03-06