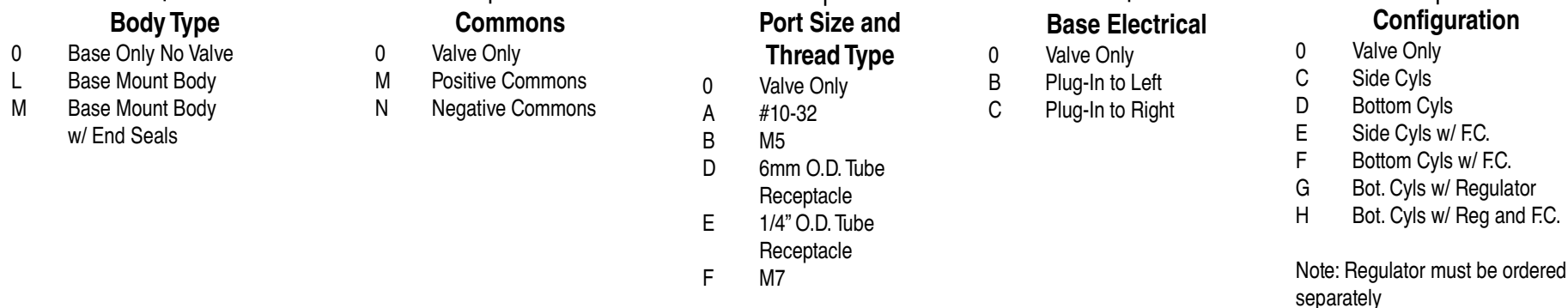


How To Order

44 Series MAConnect™

44B - X X X - X X - LXXP - X XX
 GXXP- X XX

Solenoid Assembly



Parts

28487 Exhaust Isolator
 28486 Inlet Isolator

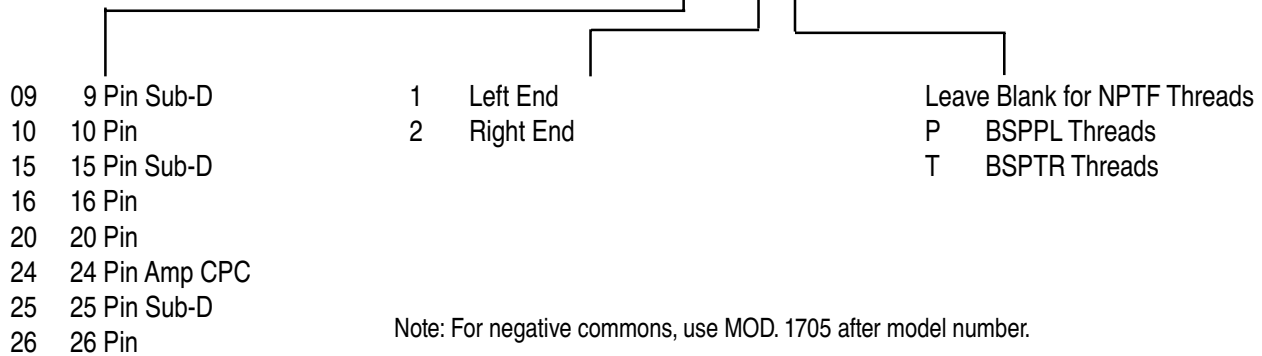
44 Series MAConnect™

How to Order

Adapters / End Plate Kit

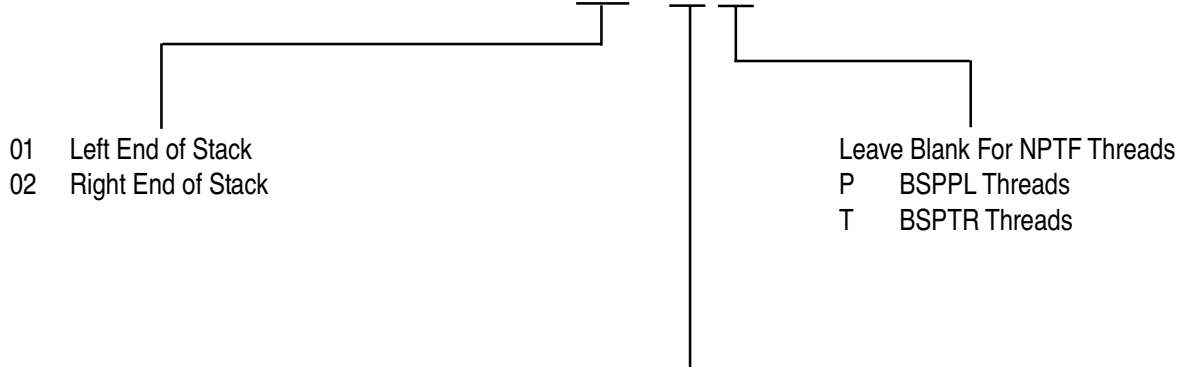
MAConnect™ Adapter Assembly

M-44005- XX - X X



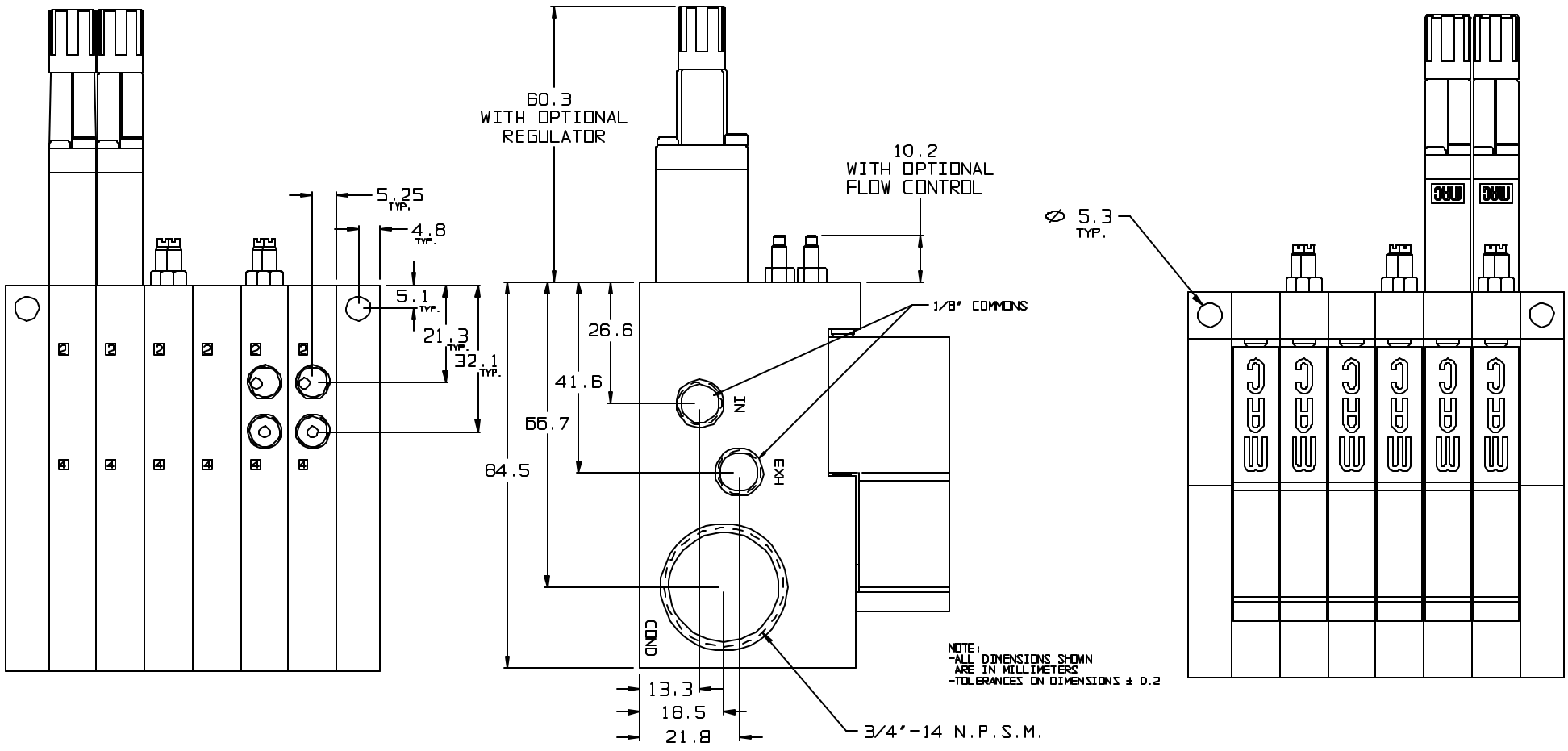
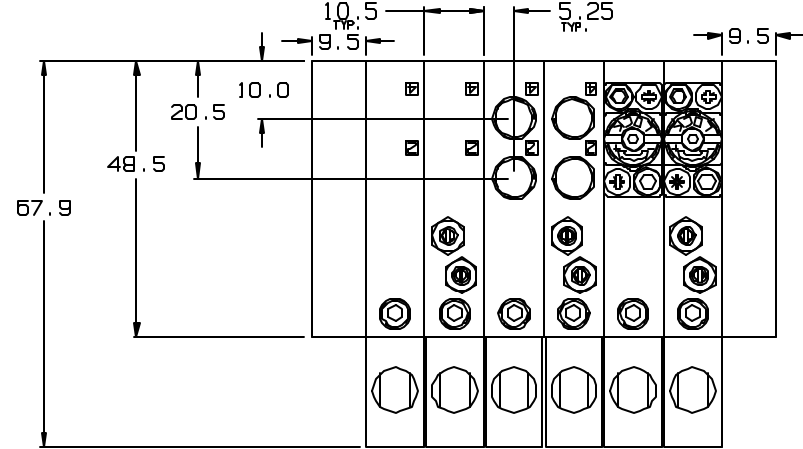
MAConnect™ Fastening End Plate Kit

M-44007- XX - 01 X



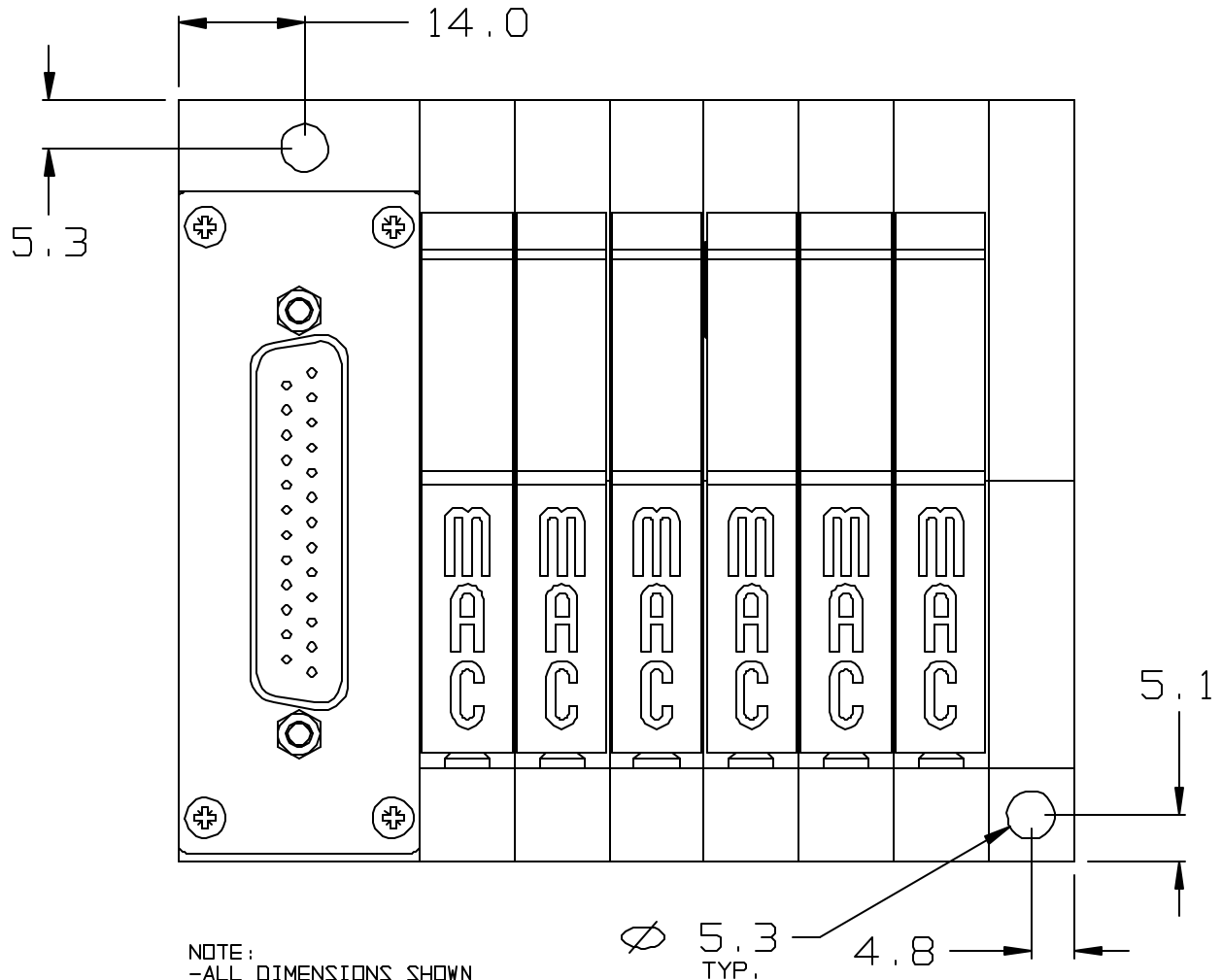
Note: "01" should be used only when the Fastening End Plate Kit is ordered separately. When the kit is ordered with an assembly this number will change to indicate the number of valves in the stack.

44 SERIES PLUG-IN MANIFOLD



NOTE:
 -ALL DIMENSIONS SHOWN
 ARE IN MILLIMETERS
 -TOLERANCES ON DIMENSIONS ± 0.2

44 SERIES MACONNECT WITH MULTI PIN



NOTE:
 -ALL DIMENSIONS SHOWN
 ARE IN MILLIMETERS
 -TOLERANCES ON DIMENSIONS ± 0.2

