

Specifications

36 Series Valve (Lifting Solenoid)

Operating Data

Fluids: Air or Inert Gas
Lubrication: Not Required. But if used, select a medium aniline point oil (between 180°F to 210°F).
Safe Operating
Temperature Range: 0° to 120°F (-18° to 50°C)
Pressure Range: Vacuum to 120 PSI
Coils: General Purpose Class A, Continuous duty.
Coil Leads: #22 AWG x 18", Other lengths available
Solenoid: Single Operator Only

Flows (Cv - Up to)
Average of All Ports

Wattage

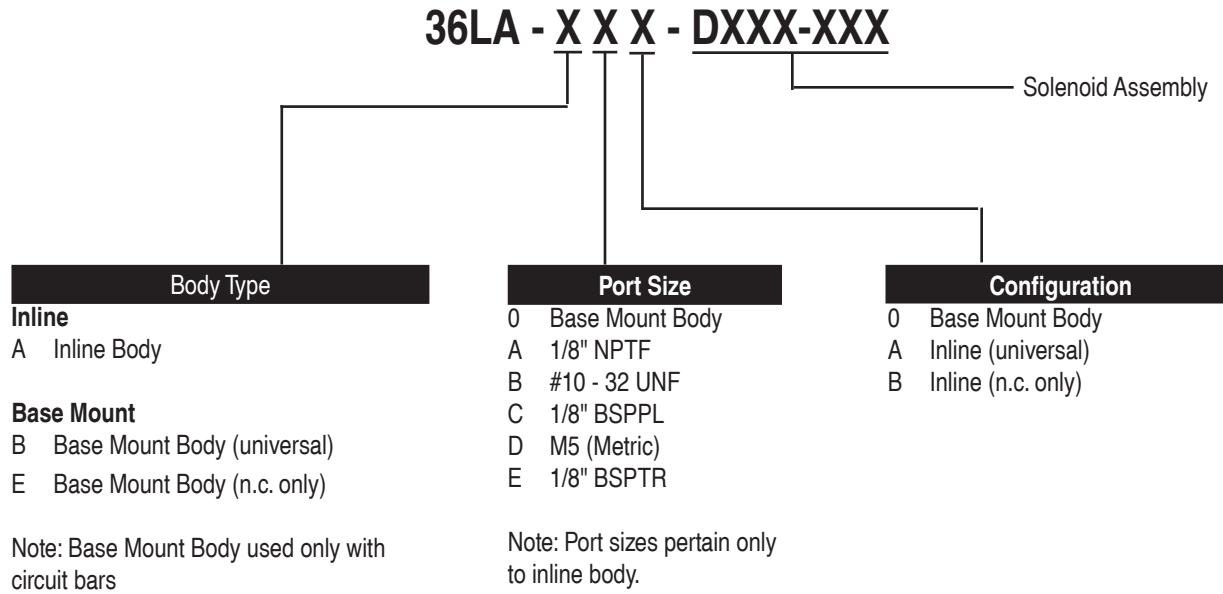
Inline (Cv)	1.8w	2.4w	5.4w
	.15	0.20	0.30

Higher flow rates available - Consult Factory

Special Applications

The balanced poppet design facilitates using the same valve for many functions. A valve may be used for pressure and/or vacuum or plugged for 2 Way operation.

How to Order 36L Series (Lifting Solenoid)



How to Order 36L Series Lifting Solenoid Assembly

D XX X - X XX

Voltage

DA	24 VDC (5.4W)	DB	12 VDC (5.4W)
DC	12 VDC (7.5W)	DD	24 VDC (7.3W)
DE*	12 VDC (12.7W)	DF*	24 VDC (12.7W)
DJ	28 VDC (5.2W)	DK	110 VDC (5.8W)
DL	64 VDC (6W)	DM	36 VDC (5.3W)
DN	6 VDC (6W)	DP	48 VDC (5.8W)
DR	90 VDC (6.6W)	DS	110 VDC (7.3W)
DT	75 VDC (5.6W)	EA	12 VDC (6.0W)
EB	220 VDC (4.2W)	ED	24 VDC (4.2W)
EE	12 VDC (4.2W)	EJ	24 VDC (9.3W)
EM	120 VDC (6.2W)	ES*	12 VDC (9.5W)
ET	24 VDC (3.0W)	EW	24 VDC (8.0W)
FA	12 VDC (1.8W)	FB	24 VDC (1.8W)
FC	10 VDC (2.2W)	FE	12 VDC (2.4W)
FF	24 VDC (2.4W)	FK	48 VDC (1.9W)
FL	18 VDC (2.4W)	GD	220 VDC (7.3W)
GE	6 VDC (9.0W)	GF	15 VDC (5.0W)
GG	9 VDC (9.0W)		

Lead Wire Length

0	No Lead Wire
A	18"
B	24"
C	36"
D	48"
E	72"
F	96"
J	External Plug-In
P	Plug-In

Notes : Use "J" with J, K, T, & P Connectors
Use "P" with FM & FN Connectors

Manual Operator

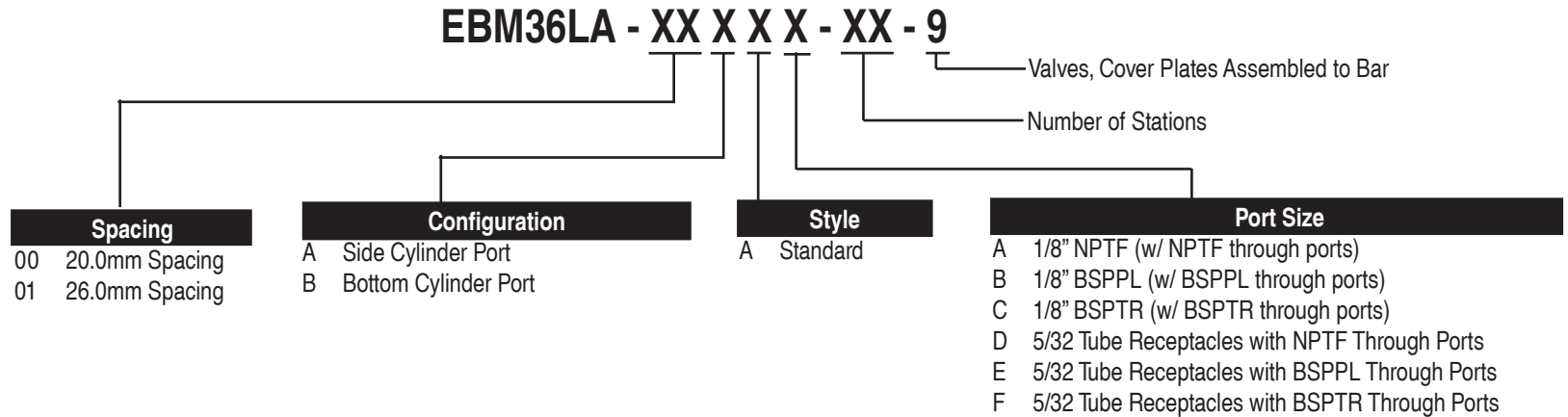
0	No Operator
1	Non-Locking Manual Operator

Electrical Connectors

BA	Grommet (Flying Leads)
BK	Grommet with diode (Flying Leads)
BM	Plug-in (with leads)
BN	Plug-in with diode (with leads)
CA	Conduit 1/2"
CM	Metal conduit 1/2"
CN	Metal conduit with ground 1/2"
FM	Plug-in (For ECD Bar)
FN	Plug-in with diode (for ECD Bar)
JB	Rectangular plug-in
JD	Rectangular plug-on with light
JM	Rectangular male only
KA	Mini plug-in
KB	Mini plug-in with diode
KD	Mini plug-in with light
KE	Mini plug-in with light & diode
KG	Mini plug-in with LED light & diode
KJ	Mini plug-in male only
KK	Mini plug-in male only with diode
TA	Dual tabs (.110) with receptacles
TB	Dual tabs with diode & receptacles
TD	Dual tabs with light & receptacles
TE	Dual tabs with light, diode & receptacles
TJ	Dual tabs (.110) plain
TK	Dual tabs with diode (no receptacles)
TM	Dual tabs with light (no receptacles)
TN	Dual tabs with light & diode (no receptacles)
PA	Pico

* MOD CLSF

How to Order 36L Series EBM Circuit Bar (Non Plug-In)



Ordering Examples

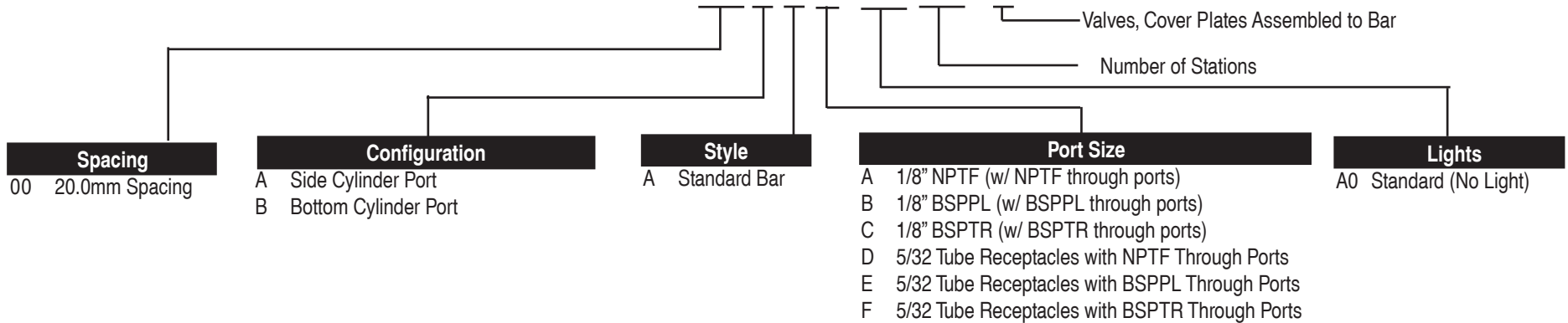
EBM36LA-00AAC-06

36L Series, Non Plug-In, 20.0 mm spacing, 1/8" BSPTR side cylinder ports, standard bar, with BSPTR through ports (inlet and exhaust) with six identical stations

Note: If all stations are not identical, the circuit bar is considered "Special."
Consult factory for part number and pricing.

How to Order 36L Series ECD Circuit Bar (Plug-In)

ECD36LA - XX X X X - XX XX - 9

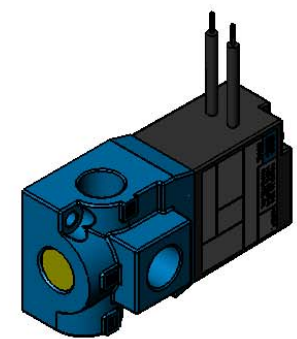
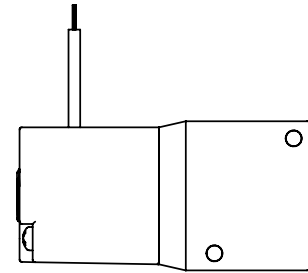
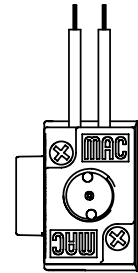
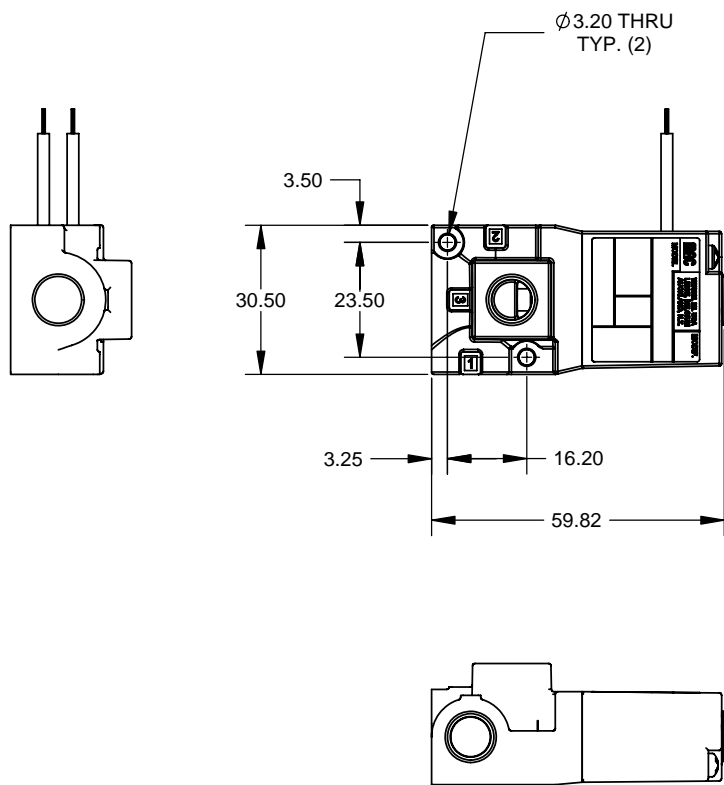
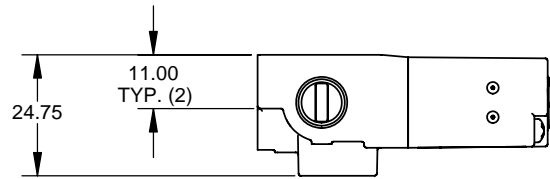


Ordering Examples

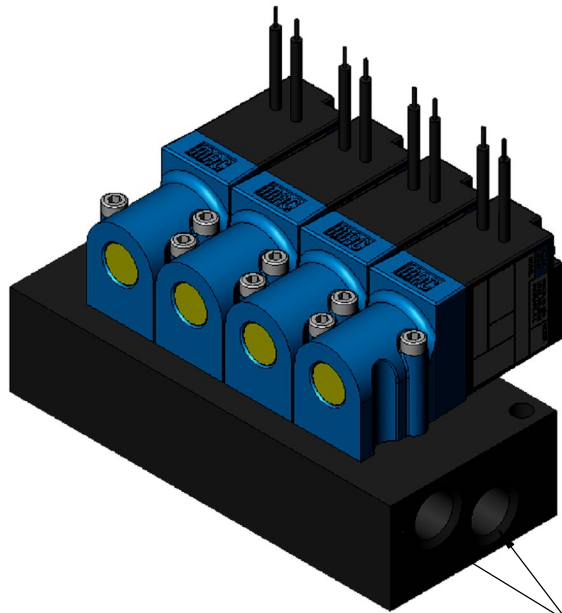
ECD36LA-00AAA-A006

36L Series, Plug-In, 20.0 mm spacing, 1/8" NPTF side cylinder ports, with NPTF through ports (inlet and exhaust), standard bar, with six identical stations

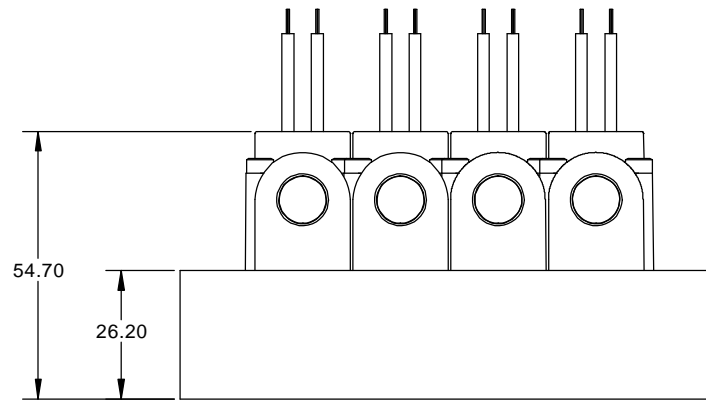
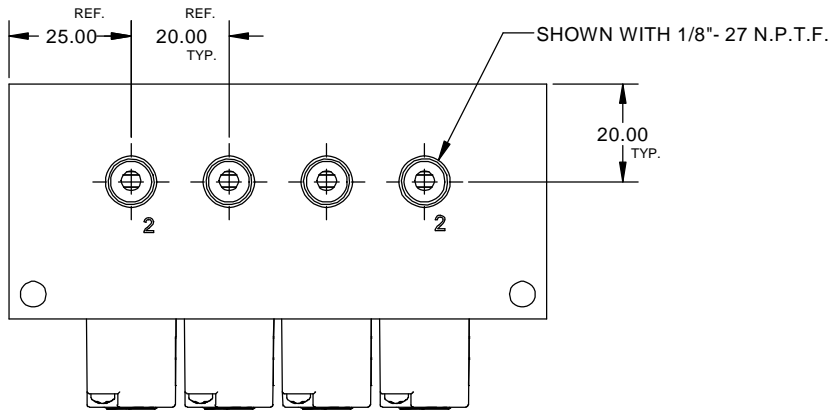
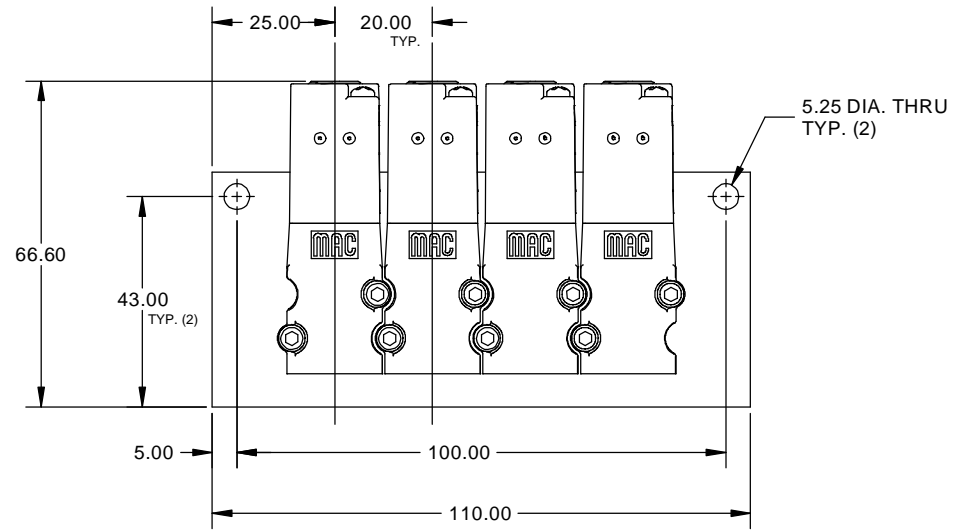
Note: If all stations are not identical, the circuit bar is considered "Special."
Consult factory for part number and pricing.



36L INLINE VALVE



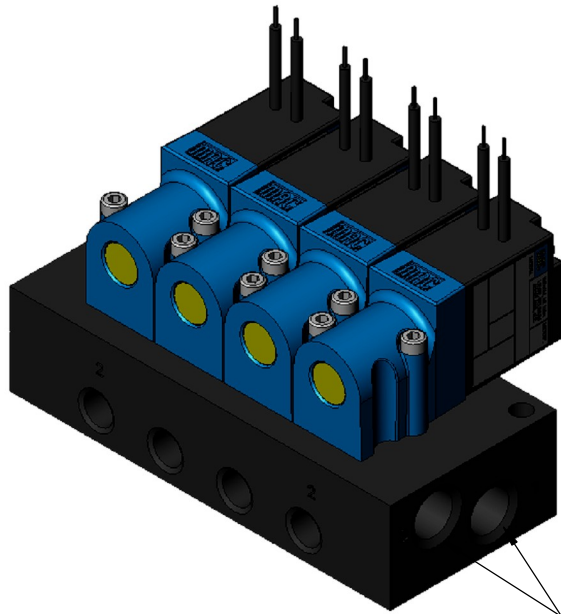
1/4"-18 N.P.T.F. TAP TO GAGE
TYP. (2) BOTH ENDS



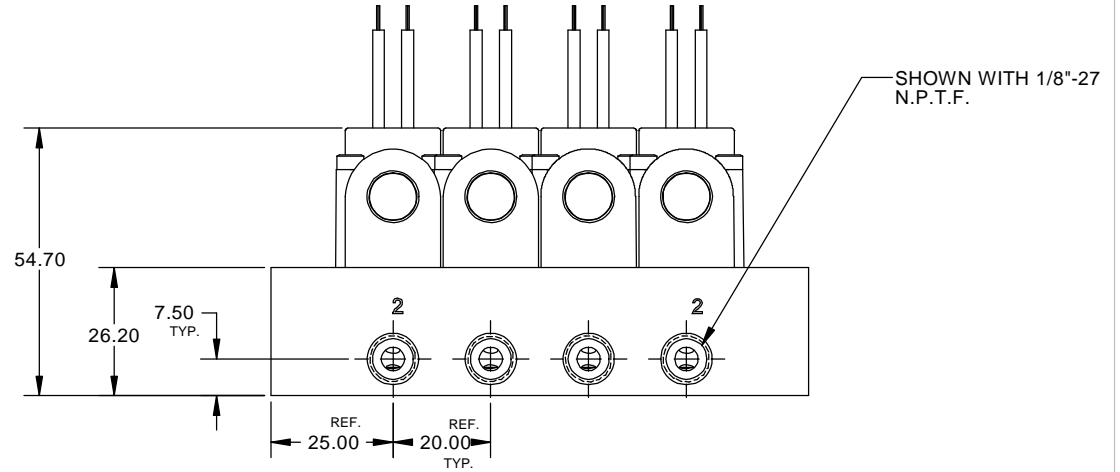
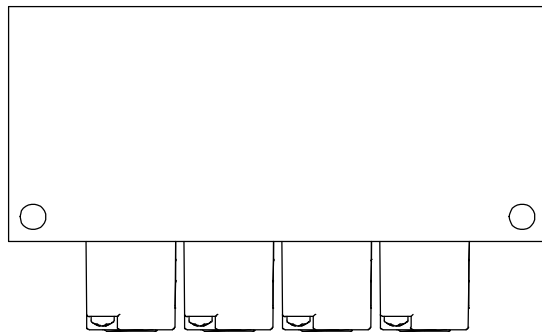
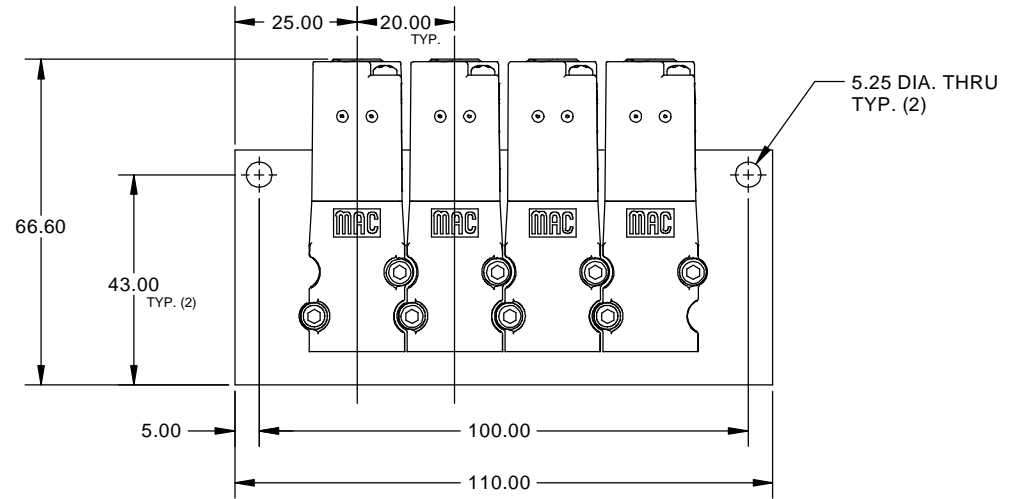
EBM36LA-00BAA-XX

* 26mm SPACING AVAILABLE FOR CONDUIT AND RECT. DIN TYPE CONNECTOR

* SHOWN WITH A #0 OPERATOR



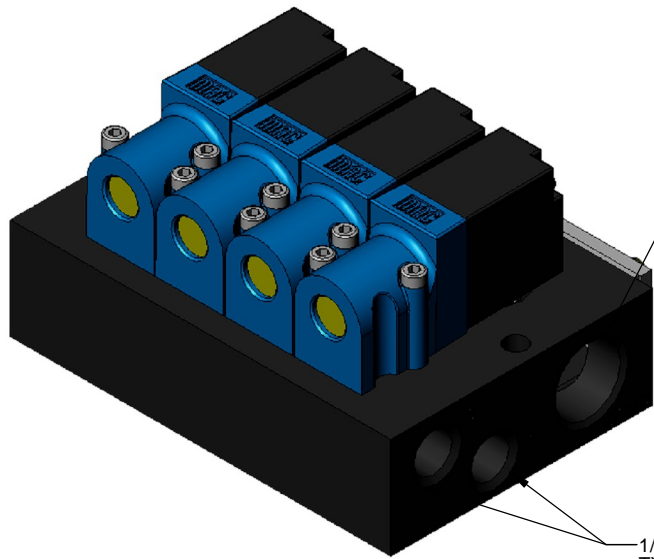
1/4"-18 N.P.T.F. TAP TO GAGE
TYP. (2) BOTH ENDS



EBM36LA-00AAA-XX

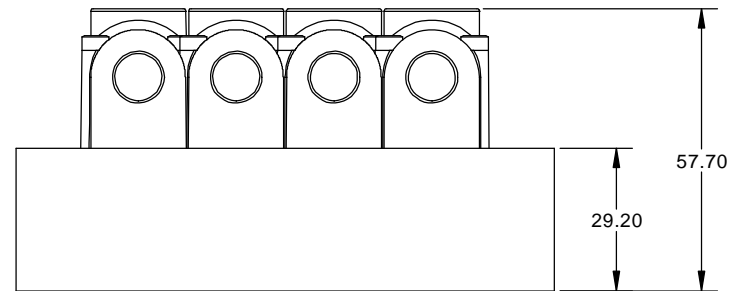
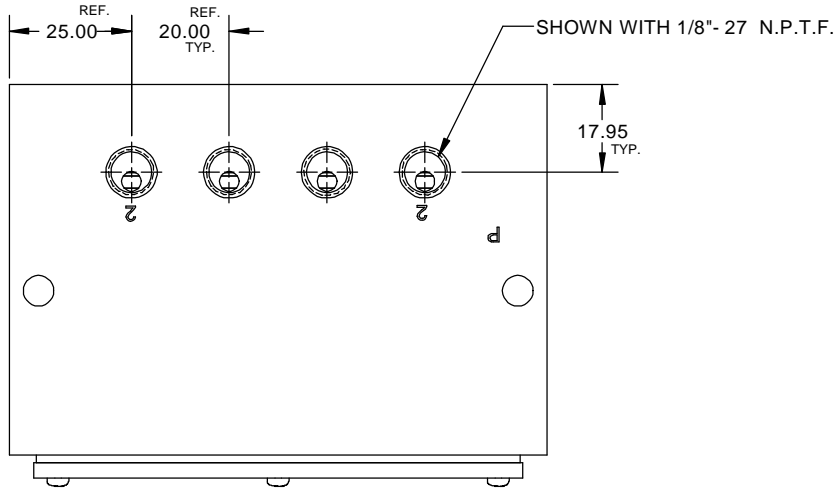
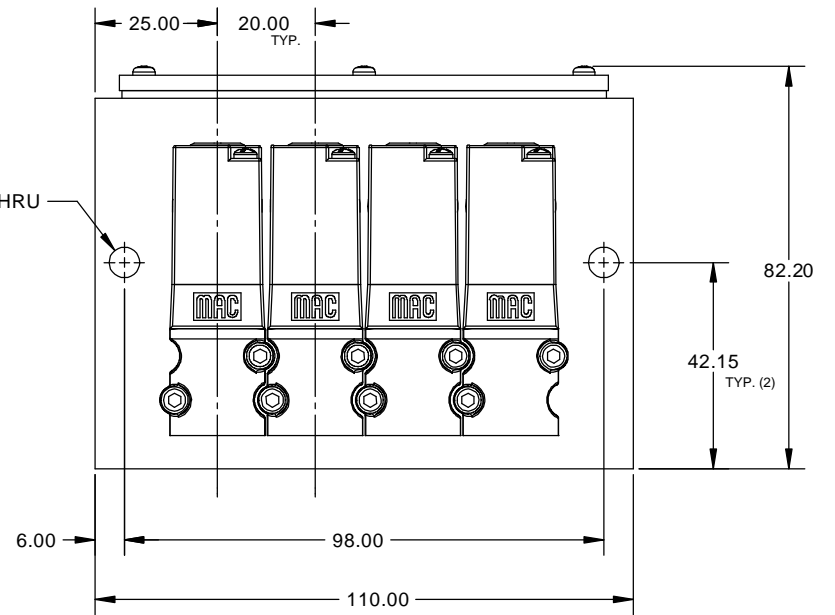
* 26mm SPACING REQUIRED FOR CONDUIT AND RECT. TYPE CONNECTORS

* SHOWN WITH A #0 OPERATOR



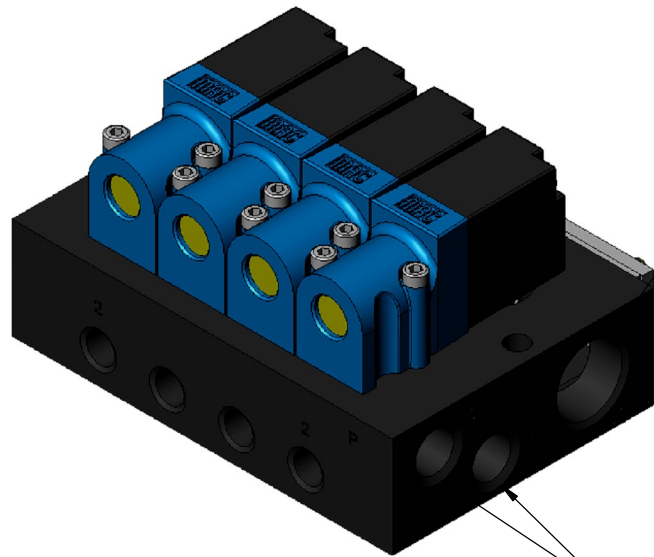
1/2" -14 N.P.S.M. T AP-
11.0 MIN. FULL TH'D DEPTH

1/4" - 18 N.P.T.F. T AP TO GAGE
TYP. (2) BOTH ENDS



ECD36LA-00BAA-A0-XX

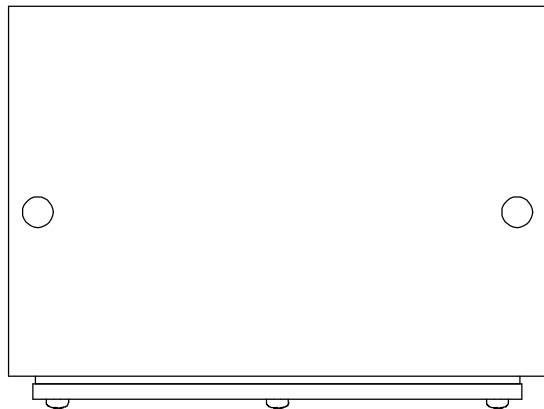
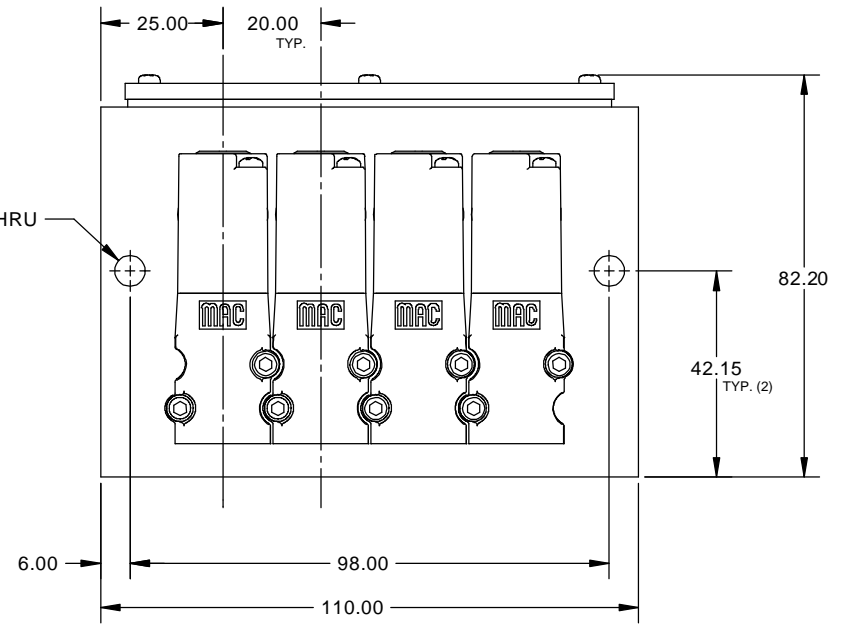
* SHOWN WITH A #0 OPERATOR



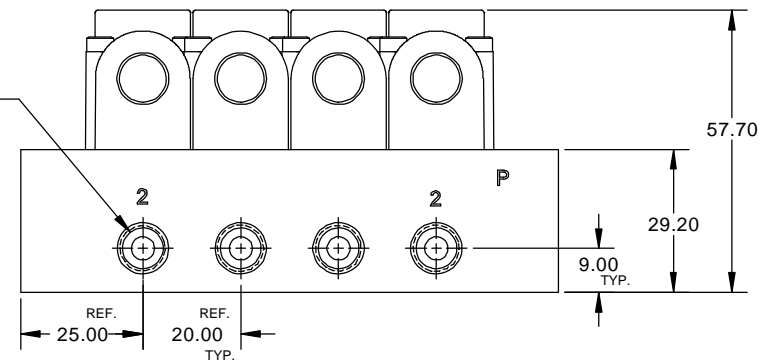
1/2" - 14 N.P.S.M. TAP-
11.0 MIN. FULL TH'D DEPTH

6.25 DIA. THRU
TYP. (2)

1/4" - 18 N.P.T.F. TAP TO GAGE
TYP. (2) BOTH ENDS



SHOWN WITH 1/8" - 27 N.P.T.F.



ECD36LA-00AAA-A0-XX

* SHOWN WITH A #0 OPERATOR