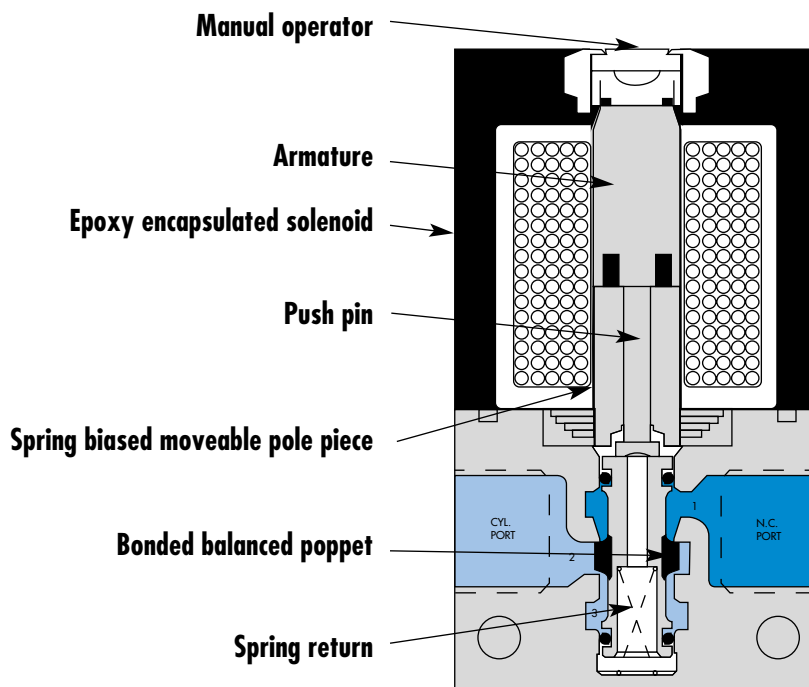


Circuit bar mounting

non plug-in	non plug-in with Pr. Reg.	plug-in	plug-in with side Pr. Reg.	plug-in with integral terminal strip	plug-in with integral terminal strip and side Pr. Reg.
-------------	---------------------------	---------	----------------------------	--------------------------------------	--



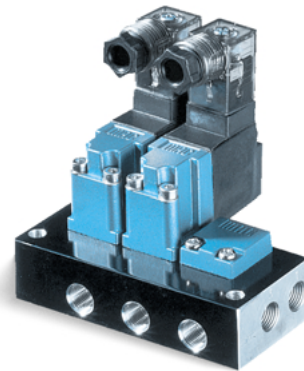
SERIES FEATURES

- Patented MACSOLENOID® for fastest possible response times.
- Balanced poppet permits versatility in function :
- 3 way N.C. - 3 way N.O. - Divertor - Selector
- Extremely high cycle rate capability.
- Various solenoid enclosures and plug-in connectors.
- Low wattage DC solenoids - down to 1.8 watts.
- Rated for lubricated or non-lubricated service.

Function	Port size	Flow [Max]	Circuit bar mounting
3/2 NO-NC	1/8" NPTF - #10-32 UNF	0.10C_v	non plug-in


OPERATIONAL BENEFITS

1. Balanced poppet, immune to variations of pressure.
2. Short stroke with high flow.
3. The patented solenoid develops high shifting forces.
4. Powerful return spring.
5. Manual operator standard on all valves.
6. Burn-out proof solenoid on AC service.



HOW TO ORDER

HOW TO ORDER VALVE FOR CIRCUIT BAR MOUNTING

	Universal valve
	
Valve less base	35A-B00-Dxxx-xxx

SOLENOID OPERATOR >

D **XX X- X XX'**

XX	Voltage	X	Wire length	X	Manual operator	XX	Electrical connection
AA	120/60, 110/50	A	18" (Flying leads)	1	Non-locking Recessed	KA	Square connector
AB	240/60, 220/50	J	Connector	2	Locking Recessed	KD	Square connector with light
AC	24/60, 24/50					BA	Flying leads
FB	24VDC (1.8 W)						
DA	24VDC (5.4 W)						
DF	24VDC (12.7 W)						

HOW TO ORDER CIRCUIT BAR**

Port size	Side cylinder ports Spacing 21 mm	Bottom cylinder ports Spacing 21 mm
1/8" NPTF	EBM35A-001A-xx	EBM35A-002A-xx
# 10-32 UNF	EBM35A-001B-xx	EBM35A-002B-xx

Number of stations (03=3 stations)

** Other options available. Consult factory.

Note : clic for valves mounted on base at the factory, add - 9 to the model number.

**TECHNICAL
D A T A**

Fluid :	Compressed air, vacuum, inert gases		
Pressure range :	Vacuum to 120 PSI		
Lubrication :	Not required, if used select a medium aniline point lubricant (between 180°F and 210°F)		
Filtration :	40 µ		
Temperature range :	0°F to 120°F (-18°C to 50°C)		
Orifice :	2 mm		
Flow (at 6 bar, ΔP=1bar) :	1.8 W : 0.08 C _v , 5.4 W : 0.1 C _v		
Coil :	General purpose class A, continuous duty, encapsulated		
Voltage range :	-15% to +10% of nominal voltage		
Protection :	Nema 4		
Power :	120 VAC/60 = Inrush : 10.9 VA (0.09 AMPS) Holding : 7.7VA (0.06 AMPS) DC VOLTS = 1.8 W to 12.7 W		
Response times :	24 VDC (5.4W)	Energize : 6 ms	De-energize : 2 ms
	120 VAC	Energize : 3-8 ms	De-energize : 2-7 ms

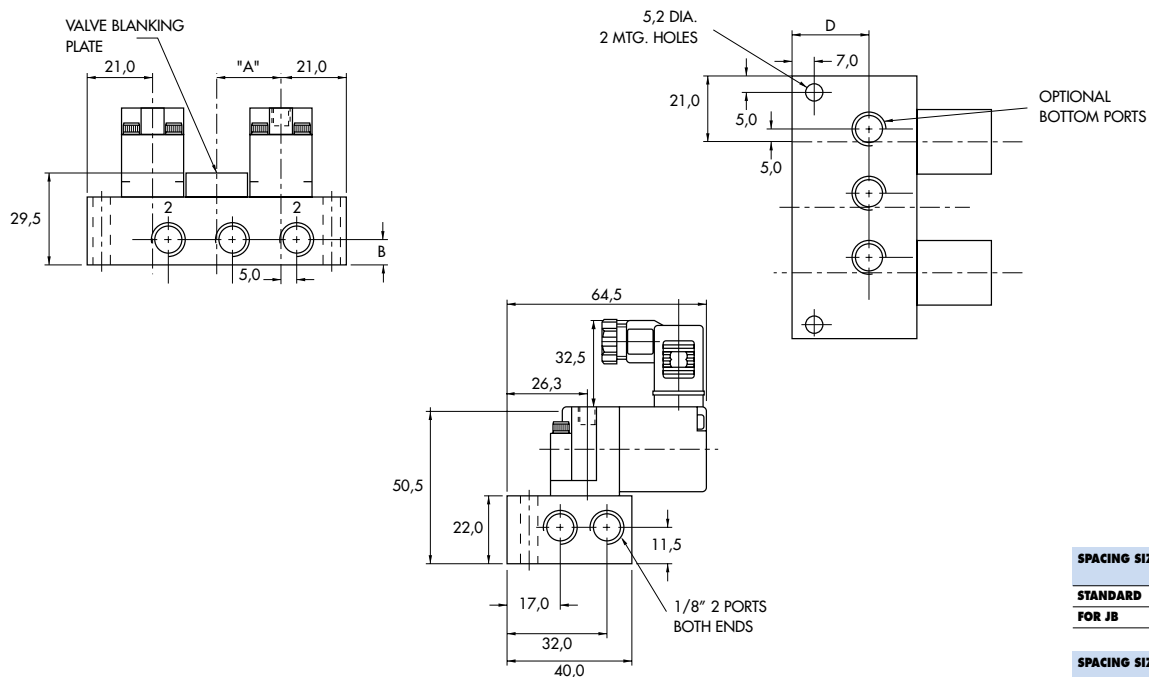
Spare parts :

- Solenoid operator (power ≥ 5.4 W) : DXXX-XXX, including mounting screws 35013.
- Seal between solenoid and valve body : 16402. • Seal between base and valve : 16447.
- Valve mounting screw (x2) : 35020. • Blanking plate valve : M-35004.

Options :

- BSPP threads. • High flow up to 0.14C_v, according to wattage. • Isolation of inlet and/or exhaust.

D I M E N S I O N S



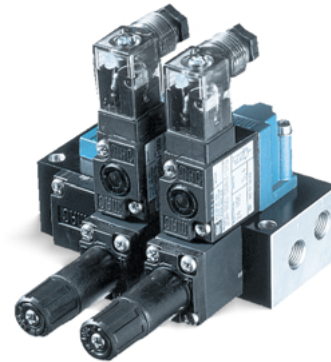
SPACING SIZE	A	
STANDARD	21.0	
FOR JB	26.0	

SPACING SIZE	B	D
1/8"	8.0	24.5
# 10-32	5.5	24.2

Function	Port size	Flow [Max]	Circuit bar mounting
3/2 NO-NC	1/8" NPTF - #10-32 UNF	0.10C_v	non plug-in with Pr. Reg.

OPERATIONAL BENEFITS


1. Balanced poppet, immune to variations of pressure.
2. Short stroke with high flow.
3. The patented solenoid develops high shifting forces.
4. Powerful return spring.
5. Manual operator standard on all valves.
6. Burn-out proof solenoid on AC service.



Reset

HOW TO ORDER

HOW TO ORDER VALVE FOR CIRCUIT BAR MOUNTING

	Universal valve
	
Valve less base	35A-B00-Dxxx-xxx
Valve less base w/ gage port	35A-F00-Dxxx-xxx

SOLENOID OPERATOR >

D **XX X- X XX**

XX	Voltage	X	Wire length	X	Manual operator	XX	Electrical connection
AA	120/60, 110/50	A	18" (Flying leads)	1	Non-locking Recessed	KA	Square connector
AB	240/60, 220/50	J	Connector	2	Locking Recessed	KD	Square connector with light
AC	24/60, 24/50					BA	Flying leads
FB	24VDC (1.8 W)						
DA	24VDC (5.4 W)						
DF	24VDC (12.7 W)						

HOW TO ORDER CIRCUIT BAR WITH PRESSURE REGULATORS (TO BE ORDERED SEPARATELY)* *

Port size Side cylinder ports	Spacing 21 mm	Spacing 40 mm
1/8" NPTF	EBM35A-003A-xx	EBM35A-023A-xx
# 10-32 UNF	EBM35A-003B-xx	EBM35A-023B-xx
Port size Bottom cylinder ports	Spacing 21 mm	Spacing 40 mm
1/8" NPTF	EBM35A-004A-xx	EBM35A-024A-xx
# 10-32 UNF	EBM35A-004B-xx	EBM35A-024B-xx

Number of stations (03=3 stations)

Other options available. Consult factory.

Note : clic for valves mounted on base at the factory, add - 9 to the model number.
use 40 mm spacing for valves w/ gage port.

** Pressure Regulators :

- 35A-00M (Adjusting knob)
- 35A-00L (Slotted stem)
- 35A-00U (Locking stem)

**TECHNICAL
DATA**

Fluid :	Compressed air, vacuum, inert gases
Pressure range :	Vacuum to 120 PSI
Lubrication :	Not required, if used select a medium aniline point lubricant (between 180°F and 210°F)
Filtration :	40 µ
Temperature range :	0°F to 120°F (-18°C to 50°C)
Orifice :	2 mm
Flow (at 6 bar, ΔP=1bar) :	1.8 W : 0.08 C _v , 5.4 W : 0.1 C _v
Coil :	General purpose class A, continuous duty, encapsulated
Voltage range :	-15% to +10% of nominal voltage
Protection :	Nema 4
Power :	120 VAC/60 = Inrush : 10.9 VA (0.09 AMPS) Holding : 7.7VA (0.06 AMPS) DC VOLTS = 1.8 W to 12.7 W
Response times :	24 VDC (5.4W) Energize : 6 ms De-energize : 2 ms 120 VAC Energize : 3-8 ms De-energize : 2-7 ms

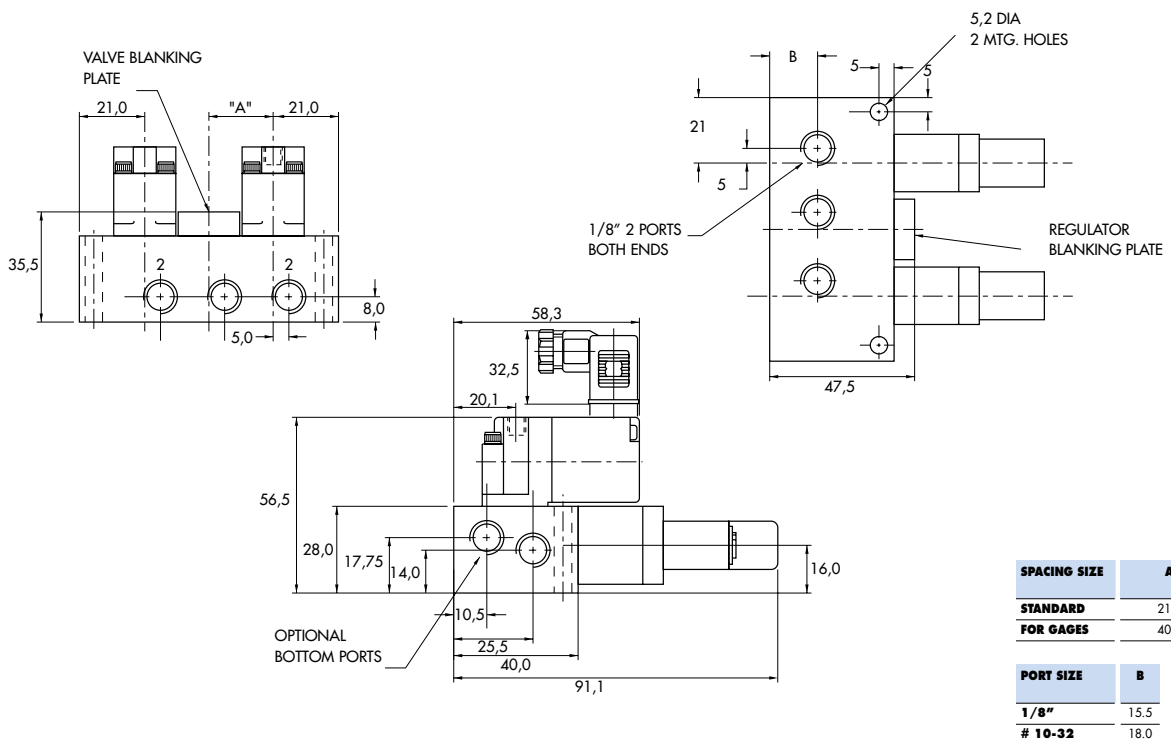
Spare parts :

- Solenoid operator (power ≥ 5.4 W) : DXXX-XXX, including mounting screws 35013.
- Seal between solenoid and valve body : 16402. • Seal between base and valve : 16447.
- Valve mounting screw (x2) : 35020. • Blanking plate valve : M-35004. • Blanking plate regulator : M-35005.

Options :

- BSPP threads. • High flow up to 0.14C_v, according to wattage. • Isolation of inlet and/or exhaust.

DIMENSIONS



Function	Port size	Flow [Max]	Circuit bar mounting
3/2 NO-NC	1/8" NPTF - #10-32 UNF	0.10C_v	plug-in


OPERATIONAL BENEFITS

1. Balanced poppet, immune to variations of pressure.
2. Short stroke with high flow.
3. The patented solenoid develops high shifting forces.
4. Powerful return spring.
5. Manual operator standard on all valves.
6. Burn-out proof solenoid on AC service.



HOW TO ORDER

HOW TO ORDER VALVE FOR "PLUG-IN" CIRCUIT BAR

	Universal valve
	 <small>CYL IN EXH</small>
Valve less base	35A-B00-DxxJ-xFM

SOLENOID OPERATOR >

D **XX** J- **X** FM *

XX Voltage	X Manual operator
AA 120/60, 110/50	1 Non-locking Recessed
AB 240/60, 220/50	2 Locking Recessed
AC 24/60, 24/50	
FB 24VDC (1.8 W)	
DA 24VDC (5.4 W)	
DF 24VDC (12.7 W)	

HOW TO ORDER "PLUG-IN" CIRCUIT BAR **

Port size	Spacing mm	Side cylinder ports	Bottom cylinder ports
1/8" NPTF	21	ECD35A-001A-A0-xx*	ECD35A-002A-A0-xx*
# 10-32 UNF	21	ECD35A-001B-A0-xx*	ECD35A-002B-A0-xx*
1/8" NPTF	30	ECD35A-031A-C0-xx*	ECD35A-032A-C0-xx*
# 10-32 UNF	30	ECD35A-031B-C0-xx*	ECD35A-032B-C0-xx*

Number of stations (03=3 stations)

** Other options available. Consult factory.

Note : clic for valves mounted on base at the factory, add - 9 to the model number.
 clic for multi-pin connector (9, 15 or 25).

- * A0 = without light
- AA = with light (120V)
- AB = with light (240V)
- AD = with light (24V)
- C0 = terminal strip
- CA = terminal w/light (120V)
- CB = terminal w/light (240V)
- CD = terminal w/light (24V)

**TECHNICAL
DATA**

Fluid :	Compressed air, vacuum, inert gases
Pressure range :	Vacuum to 120 PSI
Lubrication :	Not required, if used select a medium aniline point lubricant (between 180°F and 210°F)
Filtration :	40 µ
Temperature range :	0°F to 120°F (-18°C to 50°C)
Orifice :	2 mm
Flow (at 6 bar, ΔP=1bar) :	1.8 W : 0.08 C _v , 5.4 W : 0.1 C _v
Leak rate :	50 cm ³ /min
Coil :	General purpose class A, continuous duty, encapsulated
Voltage range :	-15% to +10% of nominal voltage
Protection :	Nema 4
Power :	120 VAC/60 = Inrush : 10.9 VA (0.09 AMPS) Holding : 7.7VA (0.06 AMPS) DC VOLTS = 1.8 W to 12.7 W
Response times :	24 VDC (5.4W) Energize : 6 ms De-energize : 2 ms 120 VAC Energize : 3-8 ms De-energize : 2-7 ms

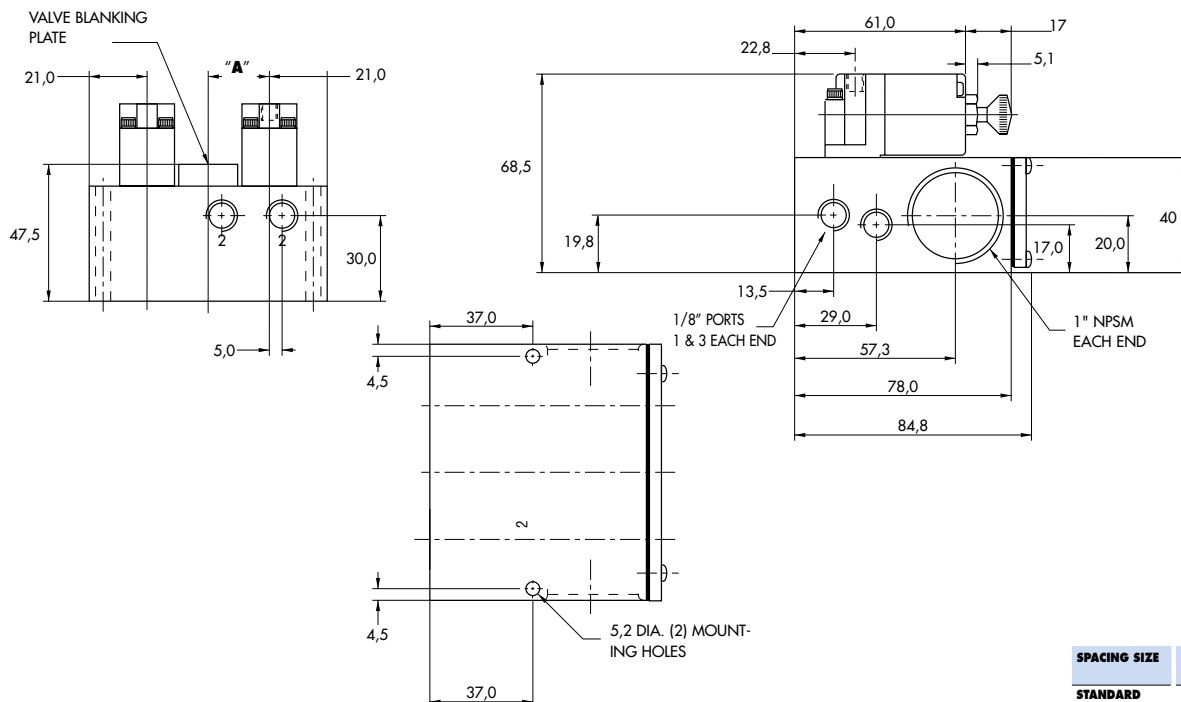
Spare parts :

- Solenoid operator (power ≥ 5.4 W) : DXXX-XXX, including mounting screws 35013.
- Seal between solenoid and valve body : 16402. • Seal between base and valve : 16447.
- Valve mounting screw (x2) : 35020. • Blanking plate valve : M-35004. • Plug-in protector : 16520.

Options :

- BSPP threads. • High flow up to 0.14C_v, according to wattage. • Isolation of inlet and/or exhaust.

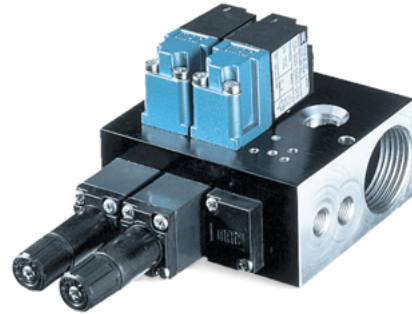
DIMENSIONS



Function	Port size	Flow [Max]	Circuit bar mounting
3/2 NO-NC	1/8" NPTF - #10-32 UNF	0.10C_v	plug-in with side Pr. Reg.

OPERATIONAL BENEFITS

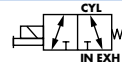
1. Balanced poppet, immune to variations of pressure.
2. Short stroke with high flow.
3. The patented solenoid develops high shifting forces.
4. Powerful return spring.
5. Manual operator standard on all valves.
6. Burn-out proof solenoid on AC service.



HOW TO ORDER

HOW TO ORDER VALVE FOR "PLUG-IN" CIRCUIT BAR

	Universal valve
Valve less base	35A-B00-DxxJ-xFM
Valve less base w/ gage port	35A-F00-DxxJ-xFM



SOLENOID OPERATOR >

D **XX** J- **X** FM *

XX Voltage	X Manual operator
AA 120/60, 110/50	1 Non-locking Recessed
AB 240/60, 220/50	2 Locking Recessed
AC 24/60, 24/50	
FB 24VDC (1.8 W)	
DA 24VDC (5.4 W)	
DF 24VDC (12.7 W)	

HOW TO ORDER "PLUG-IN" CIRCUIT BAR WITH PRESSURE REGULATORS (TO BE ORDERED SEPARATELY)* **

Port size	Spacing mm	Bottom cylinder ports
1/8" NPTF	21	ECD35A-004A-A0-xx*
# 10-32 UNF	21	ECD35A-004B-A0-xx*
1/8" NPTF	30	ECD35A-034A-C0-xx*
# 10-32 UNF	30	ECD35A-034B-C0-xx*
1/8" NPTF	40	ECD35A-024A-A0-xx*
# 10-32 UNF	40	ECD35A-024B-A0-xx*

Number of stations (03=3 stations)

** Other options available. Consult factory.

Note : clic for valves mounted on base at the factory, add - 9 to the model number.
 clic for multi-pin connector (9, 15 or 25).
 minimum spacing for terminal strips is 30 mm.
 use 40 mm spacing for valves w/gage port.

** Pressure Regulators :

- 35A-00M (Adjusting knob)
- 35A-00L (Slotted stem)
- 35A-00U (Locking stem)

- * A0 = without light
- AA = with light (120V)
- AB = with light (240V)
- AD = with light (24V)
- C0 = terminal strip
- CA = terminal w/light (120V)
- CB = terminal w/light (240V)
- CD = terminal w/light (24V)

**TECHNICAL
DATA**

Fluid :	Compressed air, vacuum, inert gases		
Pressure range :	Vacuum to 120 PSI		
Lubrication :	Not required, if used select a medium aniline point lubricant (between 180°F and 210°F)		
Filtration :	40 µ		
Temperature range :	0°F to 120°F (-18°C to 50°C)		
Orifice :	2 mm		
Flow (at 6 bar, ΔP=1bar) :	1.8 W : 0.08 C _v , 5.4 W : 0.1 C _v		
Coil :	General purpose class A, continuous duty, encapsulated		
Voltage range :	-15% to +10% of nominal voltage		
Protection :	Nema 4		
Power :	120 VAC/60 = Inrush : 10.9 VA (0.09 AMPS) Holding : 7.7VA (0.06 AMPS) DC VOLTS = 1.8 W to 12.7 W		
Response times :	24 VDC (5.4W)	Energize : 6 ms	De-energize : 2 ms
	120 VAC	Energize : 3-8 ms	De-energize : 2-7 ms

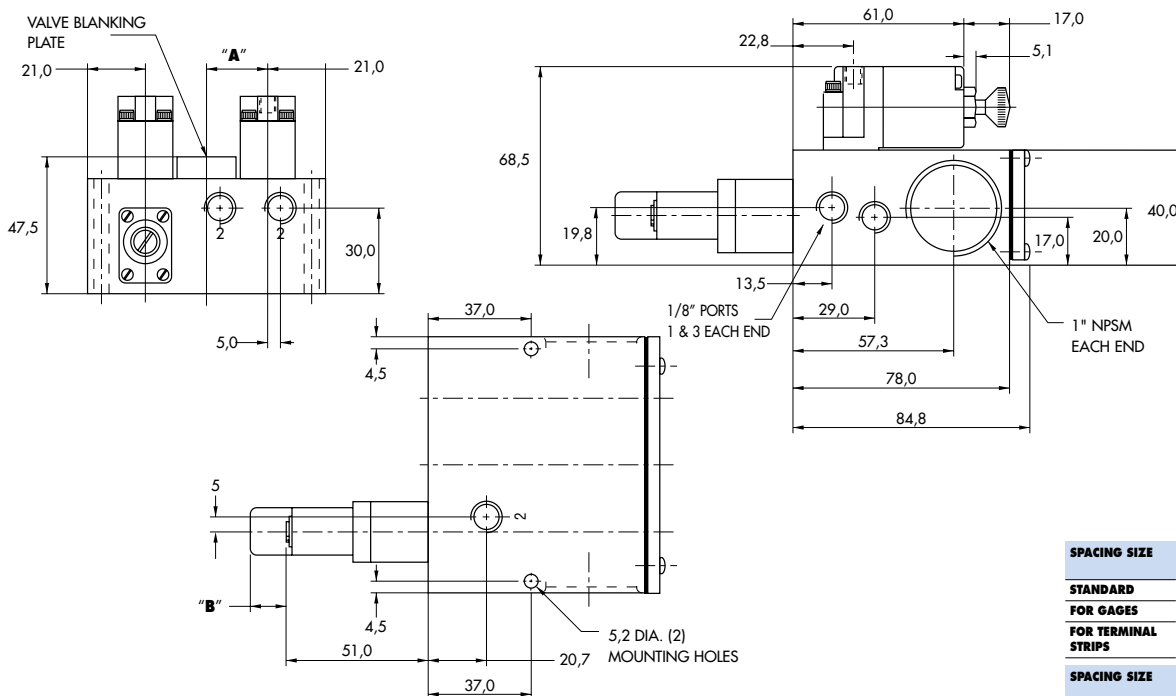
Spare parts :

- Solenoid operator (power ≥ 5.4 W) : DXXX-XXX, including mounting screws 35013.
- Seal between solenoid and valve body : 16402. • Seal between base and valve : 16447.
- Valve mounting screw (x2) : 35020. • Blanking plate valve : M-35004. • Blanking plate regulator : M-35005.
- Plug-in protector : 16520.

Options :

- BSPP threads. • High flow up to 0.14C_v, according to wattage. • Isolation of inlet and/or exhaust.

DIMENSIONS

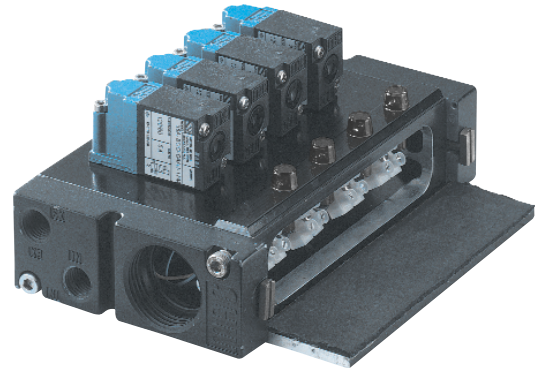


SPACING SIZE	A
STANDARD	21.0
FOR GAGES	40.0
FOR TERMINAL STRIPS	30.0
SPACING SIZE	B
SLOTTED LOCKING STEM	6.0
ADJUSTING KNOB	13.4

Function	Port size	Flow [Max]	Circuit bar mounting
3/2 NO-NC	1/8" NPTF - #10-32 UNF	0.10C_v	plug-in with integral terminal strip

OPERATIONAL BENEFITS

1. Balanced poppet, immune to variations of pressure.
2. Short stroke with high flow.
3. The patented solenoid develops high shifting forces.
4. Powerful return spring.
5. Manual operator standard on all valves.
6. Burn-out proof solenoid on AC service.



HOW TO ORDER

HOW TO ORDER VALVE FOR "PLUG-IN" CIRCUIT BAR

	Universal valve
	
Valve less base	35A-B00-DxxJ-xFM

SOLENOID OPERATOR >

D **XX** J- **X** FM *

XX Voltage	X Manual operator
AA 120/60, 110/50	1 Non-locking Recessed
AB 240/60, 220/50	2 Locking Recessed
AC 24/60, 24/50	
FB 24VDC (1.8 W)	
DA 24VDC (5.4 W)	
DF 24VDC (12.7 W)	

HOW TO ORDER "PLUG-IN" CIRCUIT BAR **

Port size	Spacing mm	Side cylinder ports	Bottom cylinder ports
1/8" NPTF	26	ECE35A-011A-C0-xx*	ECE35A-012A-C0-xx*
# 10-32 UNF	26	ECE35A-011B-C0-xx*	ECE35A-012B-C0-xx*

Number of stations (03=3 stations)

** Other options available. Consult factory.

Note : clic for valves mounted on base at the factory, add - 9 to the model number.
end plate kit required: M-45017.

* C0 = terminal strip
CA = terminal strip w/light (120V)
CB = terminal strip w/light (240V)
CD = terminal strip w/light (24V)

**TECHNICAL
DATA**

Fluid :	Compressed air, vacuum, inert gases		
Pressure range :	Vacuum to 120 PSI		
Lubrication :	Not required, if used select a medium aniline point lubricant (between 180°F and 210°F)		
Filtration :	40 µ		
Temperature range :	0°F to 120°F (-18°C to 50°C)		
Orifice :	2 mm		
Flow (at 6 bar, ΔP=1bar) :	1.8 W : 0.08 C _v , 5.4 W : 0.1 C _v		
Coil :	General purpose class A, continuous duty, encapsulated		
Voltage range :	-15% to +10% of nominal voltage		
Protection :	Nema 4		
Power :	120 VAC/60 = Inrush : 10.9 VA (0.09 AMPS) Holding : 7.7VA (0.06 AMPS) DC VOLTS = 1.8 W to 12.7 W		
Response times :	24 VDC (5.4W)	Energize : 6 ms	De-energize : 2 ms
	120 VAC	Energize : 3-8 ms	De-energize : 2-7 ms

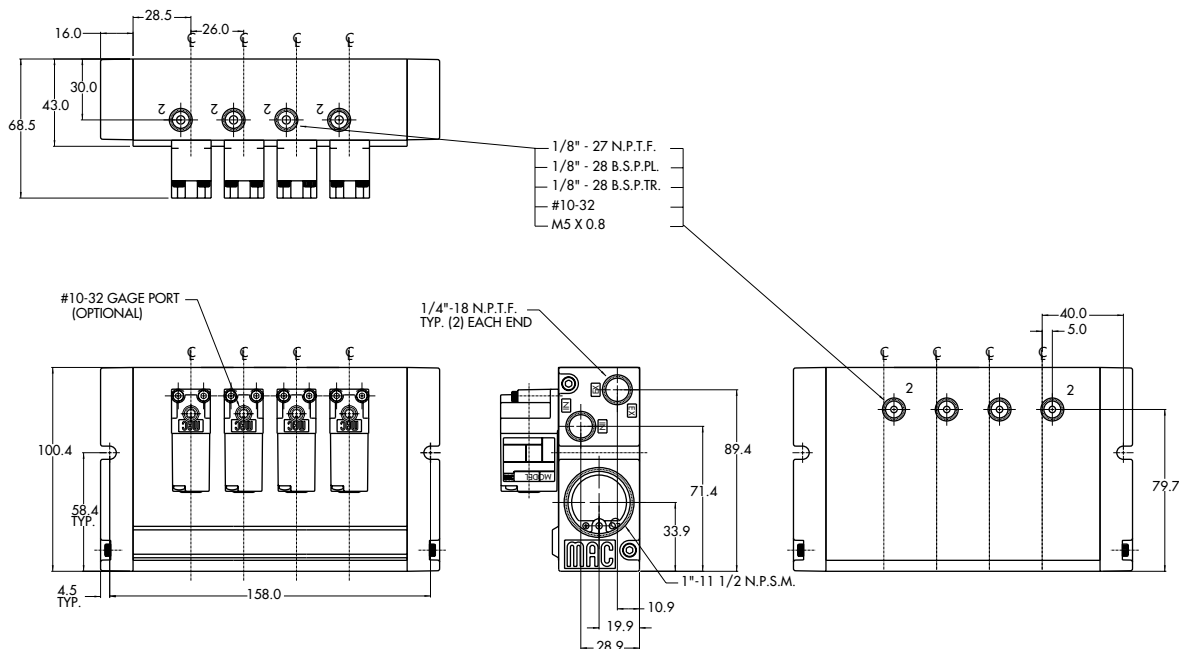
Spare parts :

- Solenoid operator (power ≥ 5.4 W) : DXXX-XXX, including mounting screws 35013.
- Seal between solenoid and valve body : 16402. • Seal between base and valve : 16447.
- Valve mounting screw (x2) : 35020. • Blanking plate valve : M-35004. • Plug-in protector : 16520.

Options :

- BSPP threads. • High flow up to 0.14C_v, according to wattage. • Isolation of inlet and/or exhaust.

DIMENSIONS



Note: Bottom & side cylinder ports not available on the same station



Direct solenoid and solenoid pilot operated valves

Function	Port size	Flow [Max]	Circuit bar mounting
3/2 NO-NC	1/8" NPTF - #10-32 UNF	0.10C_v	plug-in with integral terminal strip and side Pr. Reg.

OPERATIONAL BENEFITS

1. Balanced poppet, immune to variations of pressure.
2. Short stroke with high flow.
3. The patented solenoid develops high shifting forces.
4. Powerful return spring.
5. Manual operator standard on all valves.
6. Burn-out proof solenoid on AC service.



HOW TO ORDER

HOW TO ORDER VALVE FOR "PLUG-IN" CIRCUIT BAR

	Universal valve
Valve less base	35A-B00-DxxJ-xFM
Valve less base w/ gage port	35A-F00-DxxJ-xFM



SOLENOID OPERATOR >

D **XX** J- **X** FM *

XX Voltage	X Manual operator
AA 120/60, 110/50	1 Non-locking Recessed
AB 240/60, 220/50	2 Locking Recessed
AC 24/60, 24/50	
FB 24VDC (1.8 W)	
DA 24VDC (5.4 W)	
DF 24VDC (12.7 W)	

HOW TO ORDER "PLUG-IN" CIRCUIT BAR WITH PRESSURE REGULATORS (TO BE ORDERED SEPARATELY) **

Port size	Spacing mm	Bottom cylinder ports
1/8" NPTF	26	ECE35A-014A-C0-xx*
# 10-32 UNF	26	ECE35A-014B-C0-xx*
1/8" NPTF	40	ECE35A-024A-C0-xx*
# 10-32 UNF	40	ECE35A-024B-C0-xx*

Number of stations (03=3 stations)
 Note : clic for valves mounted on base at the factory, add - 9 to the model number.
 use 40 mm spacing for valves w/ gage port.
 end plate kit required: M-45017.

** Pressure Regulators :
 35A-00M (Adjusting knob)
 35A-00L (Slotted stem)
 35A-00U (Locking stem)

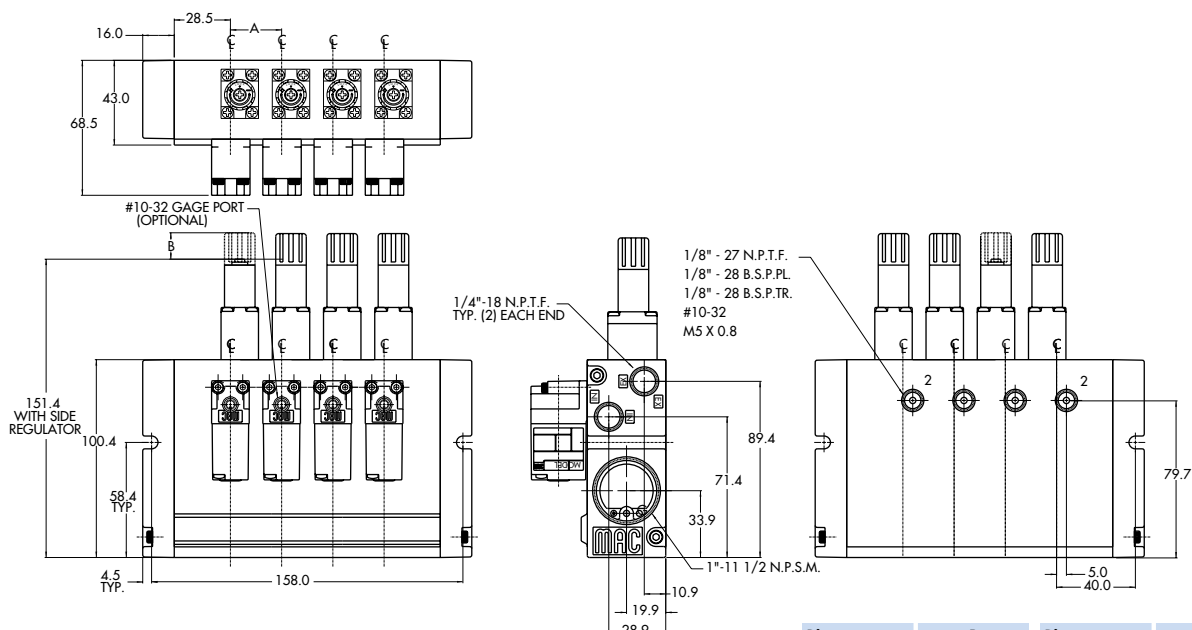
* C0 = terminal strip
 CA = terminal strip w/light (120V)
 CB = terminal strip w/light (240V)
 CD = terminal strip w/light (24V)

**TECHNICAL
DATA**

Fluid :	Compressed air, vacuum, inert gases		
Pressure range :	Vacuum to 120 PSI		
Lubrication :	Not required, if used select a medium aniline point lubricant (between 180°F and 210°F)		
Filtration :	40 µ		
Temperature range :	0°F to 120°F (-18°C to 50°C)		
Orifice :	2 mm		
Flow (at 6 bar, ΔP=1bar) :	1.8 W : 0.08 C _v , 5.4 W : 0.1 C _v		
Coil :	General purpose class A, continuous duty, encapsulated		
Voltage range :	-15% to +10% of nominal voltage		
Protection :	Nema 4		
Power :	120 VAC/60 = Inrush : 10.9 VA (0.09 AMPS) Holding : 7.7VA (0.06 AMPS) DC VOLTS = 1.8 W to 12.7 W		
Response times :	24 VDC (5.4W)	Energize : 6 ms	De-energize : 2 ms
	120 VAC	Energize : 3-8 ms	De-energize : 2-7 ms

- Spare parts :
- Solenoid operator (power ≥ 5.4 W) : DXXX-XXX, including mounting screws 35013.
 - Seal between solenoid and valve body : 16402. • Seal between base and valve : 16447.
 - Valve mounting screw (x2) : 35020. • Blanking plate valve : M-35004. • Blanking plate regulator : M-35005.
 - Plug-in protector : 16520.
- Options :
- BSPP threads. • High flow up to 0.14C_v, according to wattage. • Isolation of inlet and/or exhaust.

DIMENSIONS



Dim.	B	Dim.	A
SLOTTED LOCKING STEM	6.0	STANDARD SPACING	26.0
ADJUSTABLE KNOB	13.4	SPACING FOR GAUGES	40.0



Section 2

Options



0 p t i o n s

Codification table for voltages / Wire length / Manual operators / Electrical connections

VALVE CODE ➤ **-DXX X - X XX**
1 2 3 4

OPTIONS AVAILABLE FOR

- Solenoid valves 35 & 45 Series

1. VOLTAGE

- D XX	X - X XX	VOLTAGE
AD		24/60
AE		200/60
AF		240/50
AG		100/50, 100/60, 110/60
DB		12 VDC (5.4 W)
DC		12 VDC (7.5 W)
DD		24 VDC (7.3 W)
DE		12 VDC (12.7 W) CLSF
DK		110 VDC (5.8 W)
DL		64 VDC (6.0 W)
DM		36 VDC (5.8 W)
DN		6 VDC (6.0 W)
DP		48 VDC (5.8 W)
DU		24 VDC (6.0 W)
EA		12 VDC (6.0 W)
FA		12 VDC (1.8 W)
FE		12 VDC (2.4 W)
FF		24 VDC (2.4 W)

2. WIRE LENGTH

- D XX	X - X XX	WIRE LENGTH
B		24"
C		36"
D		48"
E		72"
F		96"

3. MANUAL OPERATOR

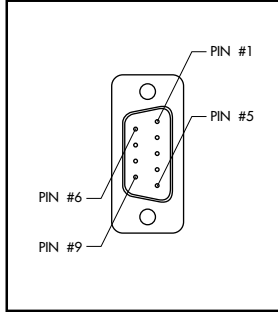
- D XX X - X XX	MANUAL OPERATOR
0	No operator
1	Non-locking recessed
2	Locking recessed
3	Non-locking extended
4	Locking extended

4. ELECTRICAL CONNECTION

- D XX X - X XX	ELECTRICAL CONNECTION
BA	Flying leads
BK	BA with protection diode
BL	BA with protection varistor
CA	1/2" NPS conduit
*FN	Plug-in with diode
*FP	Plug-in with M.O.V.
JB	Rectangular connector
JD	Rectangular connector with light
JM	Rectangular connector, male only
KA	Square connector
KB	Square connector with protection diode
KC	Square connector with protection varistor
KD	Square connector with light
KE	Square connector with light and protection diode
KF	Square connector with light and protection varistor
KJ	Square connector (male only)
KK	Square connector with protection diode (male only)
KL	Square connector with protection varistor (male only)
TA	Dual tabs
TB	TA with protection diode
TD	TA with light
TE	TA with light and protection diode
TJ	Dual tabs (male only)
TK	TJ with protection diode
TM	TJ with light
TN	TJ with light and protection diode

* For use with the ECD and ECE style circuit bars.

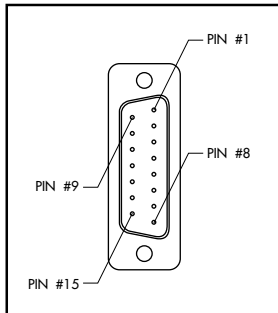
MOD. S009



TECHNICAL DATA

- Type «SUB_D»
- Number of contacts : 9
- Solder termination (Dia. 0.6 mm/0.14 mm²/26-22 AWG)
- Operating current 5 A/contact
- Rated voltage 125 V~
- Temp. range -40° to +125°C
- Insulation resistance ≥ 5.0⁹ Ω
- Protection class IP40 (DIN 40050)
- Number of solenoids : 7 max.
- Max. 24 V=/5.4 W per solenoid
- 2 common wires

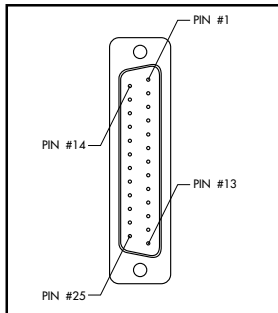
MOD. S015



TECHNICAL DATA

- Type «SUB_D»
- Number of contacts : 15
- Solder termination (Dia. 0.6 mm/0.14 mm²/26-22 AWG)
- Operating current 5 A/contact
- Rated voltage 125 V~
- Temp. range -40° to +125°C
- Insulation resistance ≥ 5.0⁹ Ω
- Protection class IP40 (DIN 40050)
- Number of solenoids : 12 max.
- Max. 24 V=/5.4 W per solenoid
- 3 common wires

MOD. S025



TECHNICAL DATA

- Type «SUB_D»
- Number of contacts : 25
- Solder termination (Dia. 0.6 mm/0.14 mm²/26-22 AWG)
- Operating current 5 A/contact
- Rated voltage 125 V~
- Temp. range -40° to +125°C
- Insulation resistance ≥ 5.0⁹ Ω
- Protection class IP40 (DIN 40050)
- Number of solenoids : 20 max.
- Max. 24 V=/5.4 W per solenoid
- 5 common wires

Note : Use desired MOD. number after circuit bar part number

Connector termination details

