

# Specifications

## 26 Series Valve

**Fluids:**

Compressed air or inert gases

**Lubrication:**

Not required. If used, select a medium aniline point lubricant (between 180° and 210°F)

**Safe Operating Temperature Range:**

0°F to 120°F (-18°C to 50°C)

**Pressure Range:**

Main Valve: Vacuum to 100 PSI (External pilot)  
40 to 100 PSI (Internal pilot)

External pilot: 40 to 100 PSI

**Flow:**

$C_v = .25$  (Higher flows available - consult factory)

**Voltage:**

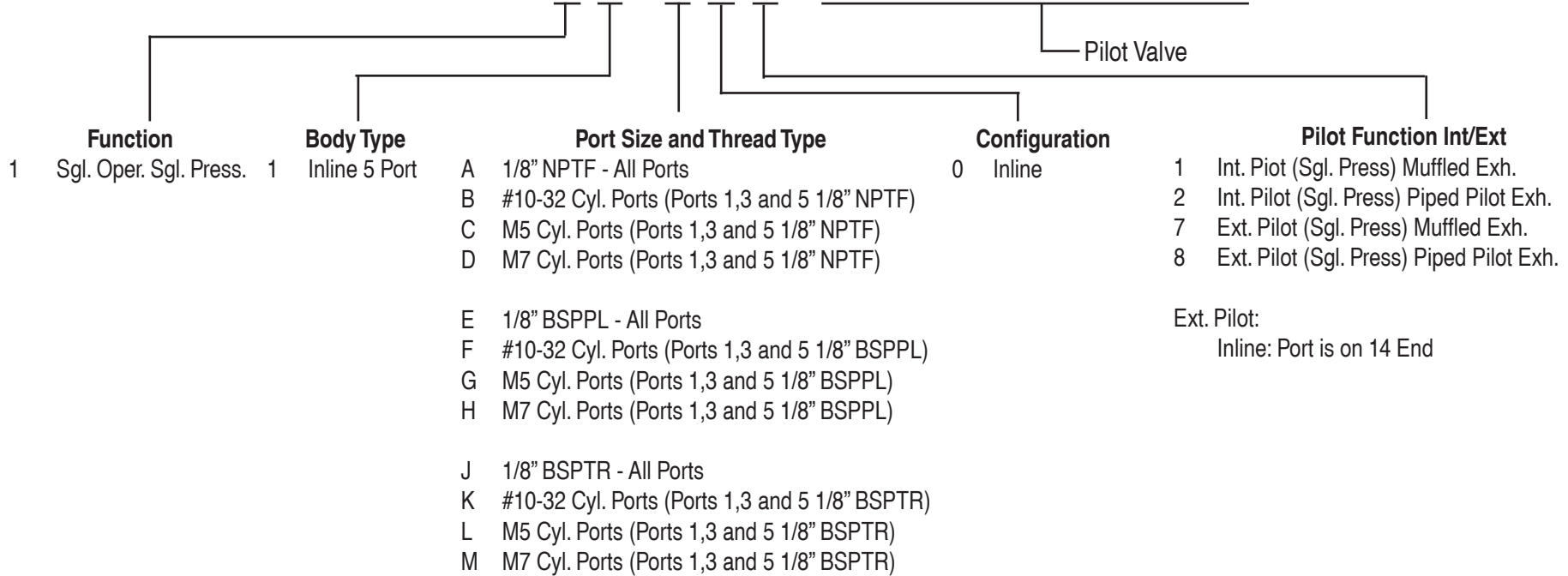
DC 12/24 Volt 1.0w to 4.0w (Higher wattages available - consult factory)

**Coil:**

#24 AWG x 18 lead wires

# How To Order 26 Series Valve

**26A - X X - X X X - XX - B XX X - X XX**



Note: External Pilot Port is #10-32 when ports are NPTF or #10-32  
 External Pilot Port is M5 when ports are BSPPL, BSPTR, M5 or M7

# How to Order Pilot Valve Options For 26 Series

**XX - B XX X - X XX**

**Bullet Pilot Valve**  
BC Pilot Valve St'd

**Voltage**  
24 VDC

HA 1.0 W  
HB 1.8 W  
HC 2.5 W  
HD 3.0 W  
HE 4.0 W

12 VDC  
HF 1.0 W  
HG 1.8 W  
HH 2.5 W  
HJ 3.0 W  
HK 4.0 W

**Wire Length**

0 No Lead Wire  
A 18"  
B 24"  
C 36"  
D 48"  
E 72"  
F 96"

**Manual Operator**

0 No manual operator  
1 Recessed Non-Locking Operator

**Solenoid Cover / Electrical Connector**  
**Flying Lead Covers**

BA No Ground  
BC Blocking & Supression Diode & LED (No Ground)  
BE Blocking & Supression Diode (No Ground)  
BG LED (No Ground)  
BJ MOV (No Ground)  
BL MOV & LED (No Ground)

**"JST" Plug-In Covers**

TA No Ground  
TC Blocking & Supression Diode & LED (No Ground)  
TE Blocking & Supression Diode (No Ground)  
TG LED (no Ground)  
TJ MOV (No Ground)  
TL MOV & LED (No Ground)

**PICO Covers**

PC Blocking & Supression Diode & LED (No Ground)  
PE Blocking & Supression Diode (No Ground)  
PG LED (no Ground)  
PJ MOV (No Ground)  
PL MOV & LED (No Ground)  
PN Transfer Board

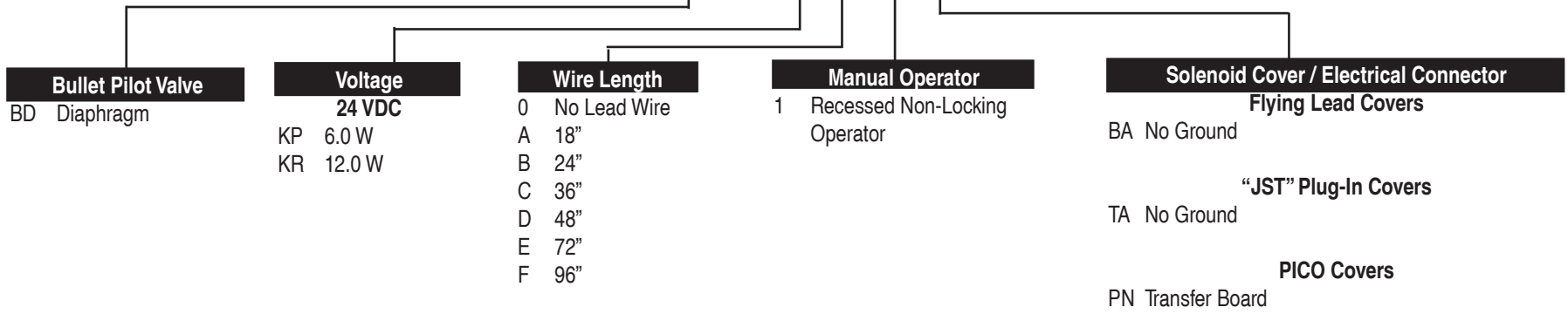
Pilot Valve may be ordered separately  
BCA-BXXX-XXX

Note: PICO covers PC-PL have a third pin which is a location pin

# How to Order Pilot Valve Options For 26 Series

## Modification 8484

**XX - B XX X - X XX**



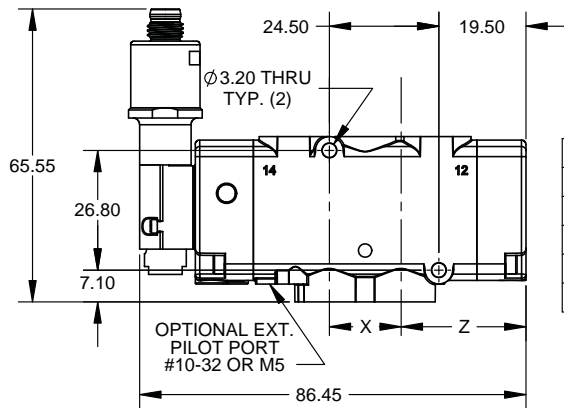


# 26 Series

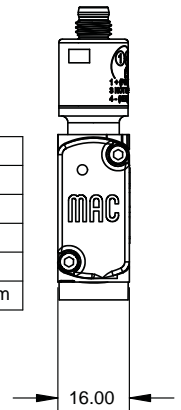
POP Technology, Bullet Valve® Powered



## Technical Data Sheet



CYLINDER PORT SIZE		
	X	Z
1/8"	16mm	28mm
#10-32	10mm	31mm
M5	10mm	31mm
M7	11mm	30.5mm

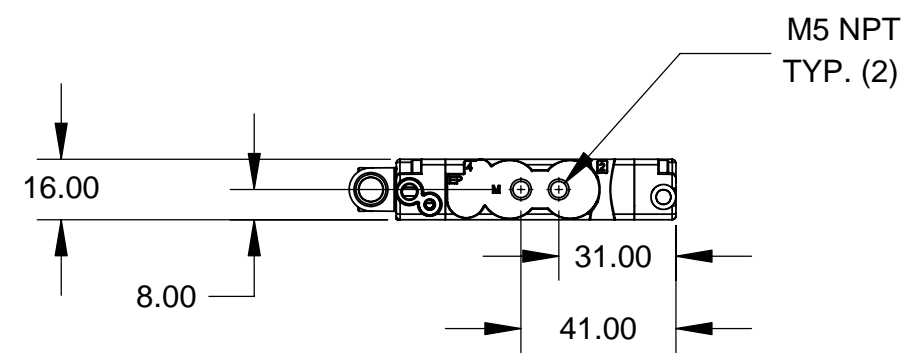
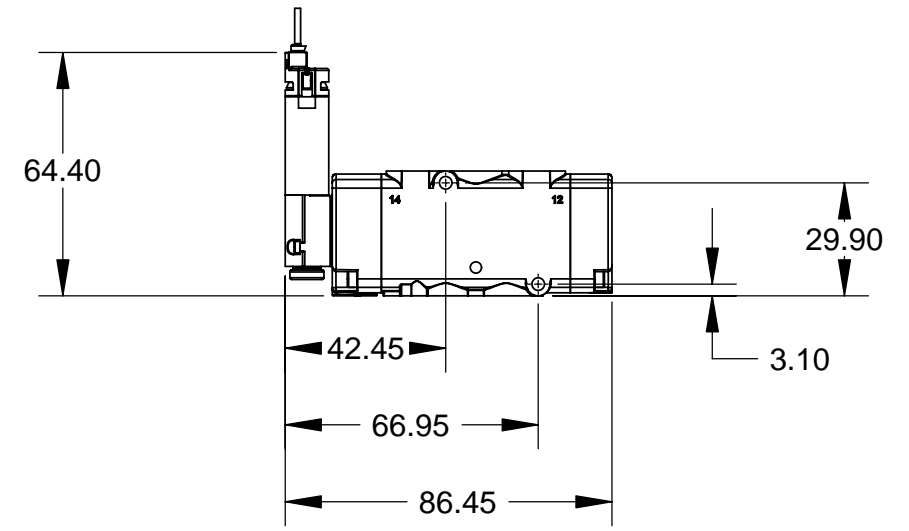
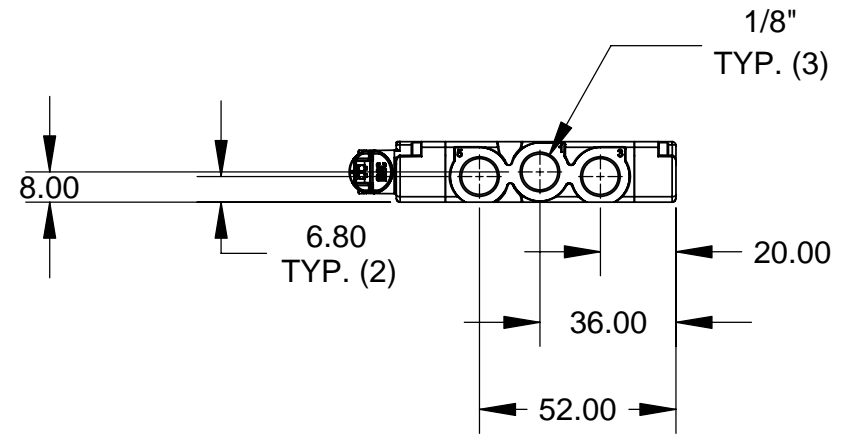
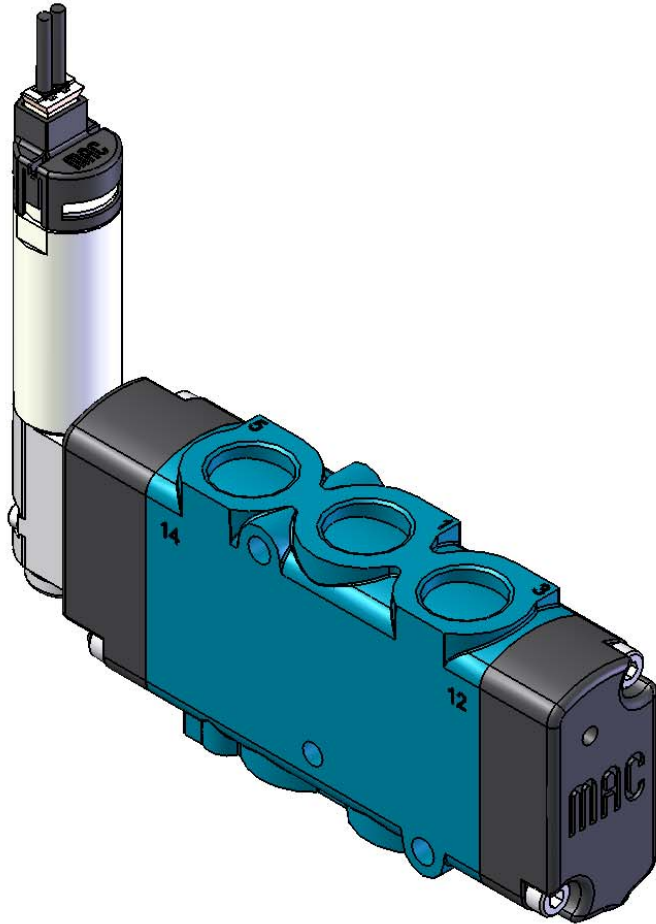


6 Watt = 26A-11-X01-BD-BKP0-1PN 8484  
 12 Watt = 26A-11-X01-BD-BKR0-1PN 8484

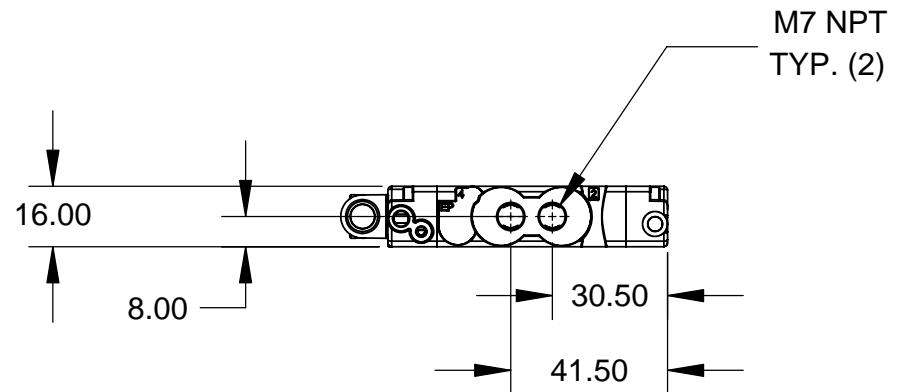
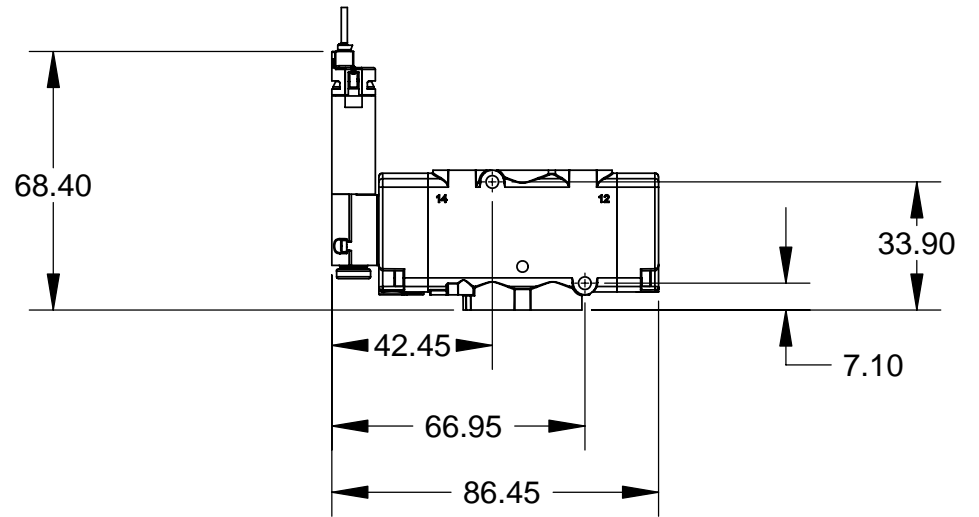
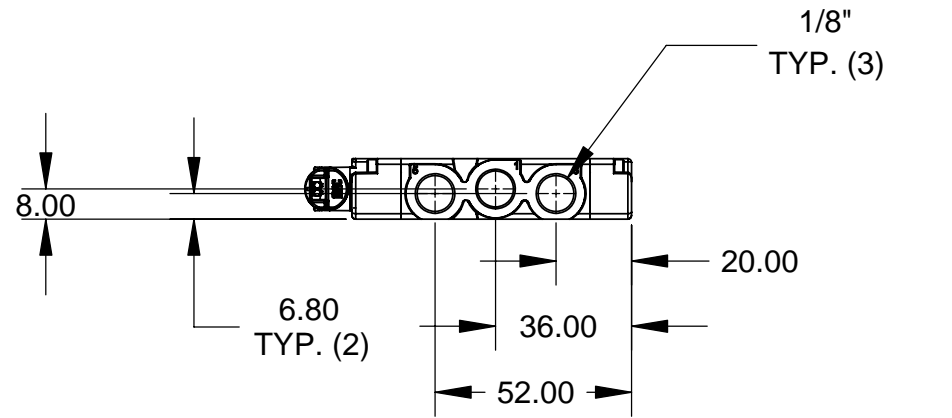
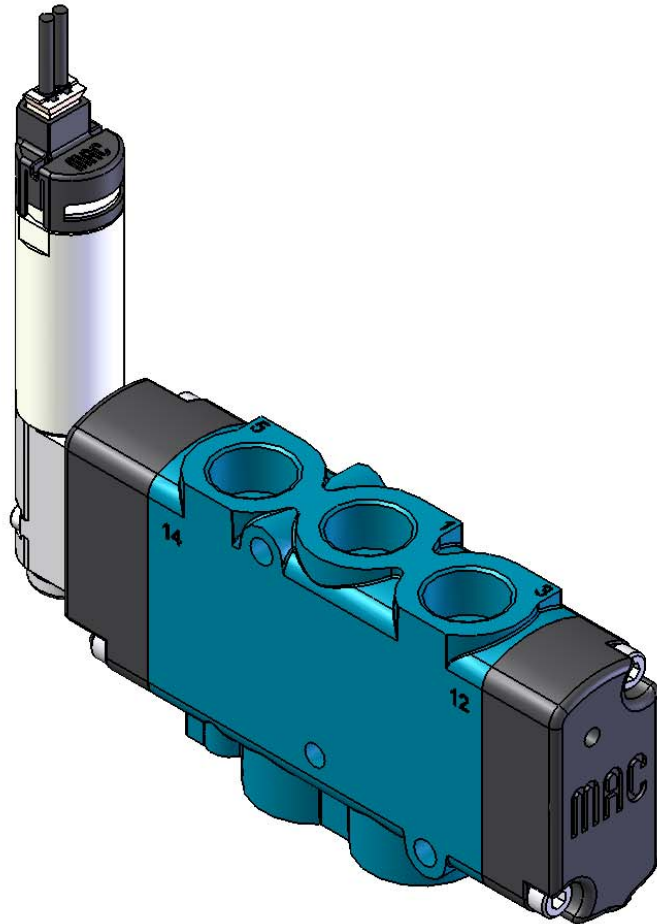
X = Cylinder Port Option (see below)

- Fluids.....Compressed Air or Inert Gas
- Lubrication.....Not required. If used, select a medium aniline point lubricant (180 ° and 210 °F)
- Safe Operating Temperature Range.....0 ° to 149 °F (-18 ° to 65 °C)
- Pressure Range.....Main Valve: Vacuum to 100 PSI (External Pilot)  
 40 to 100 PSI (Internal Pilot)  
External Pilot: 40 to 100 PSI
- Flow.....Cv = .25 (Higher Flows Available\*)
- Voltage.....DC 12 / 24 Volts (Other Voltages Available\*)
- Wattage.....6.0 Watt (MOD 8484)  
 12.0 Watt (MOD 8484)  
 12.0 Watt With PWM Circuit (Requires MOD\*)  
 46.1 Watt With PWM Circuit (Requires MOD\*)  
 Additional Wattages & Energy Reduction Circuit Available  
 Please Consult Factory for Ordering Information
- Porting.....A = 1/8" NPTF - All Ports  
B = #10-32 Cyl. Ports (Ports 1,3 & 5 1/8" NPTF)  
C = M5 Cyl. Ports (Ports 1,3 & 5 1/8" NPTF)  
D = M7 Cyl. Ports (Ports 1,3 & 5 1/8" NPTF)

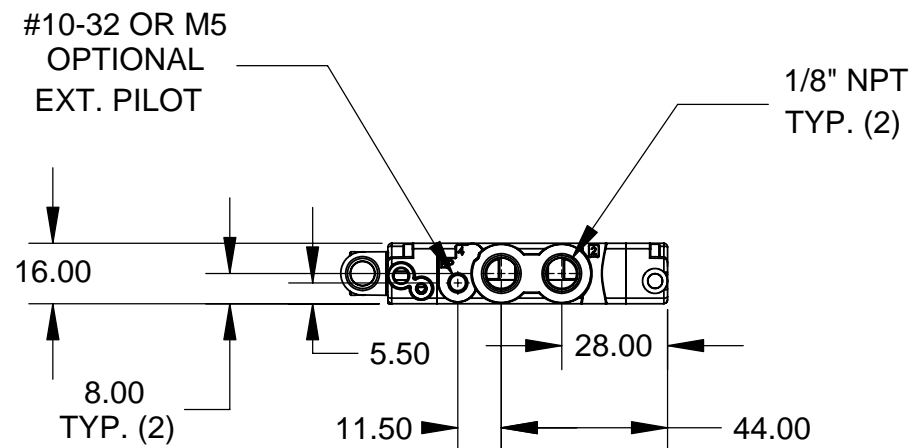
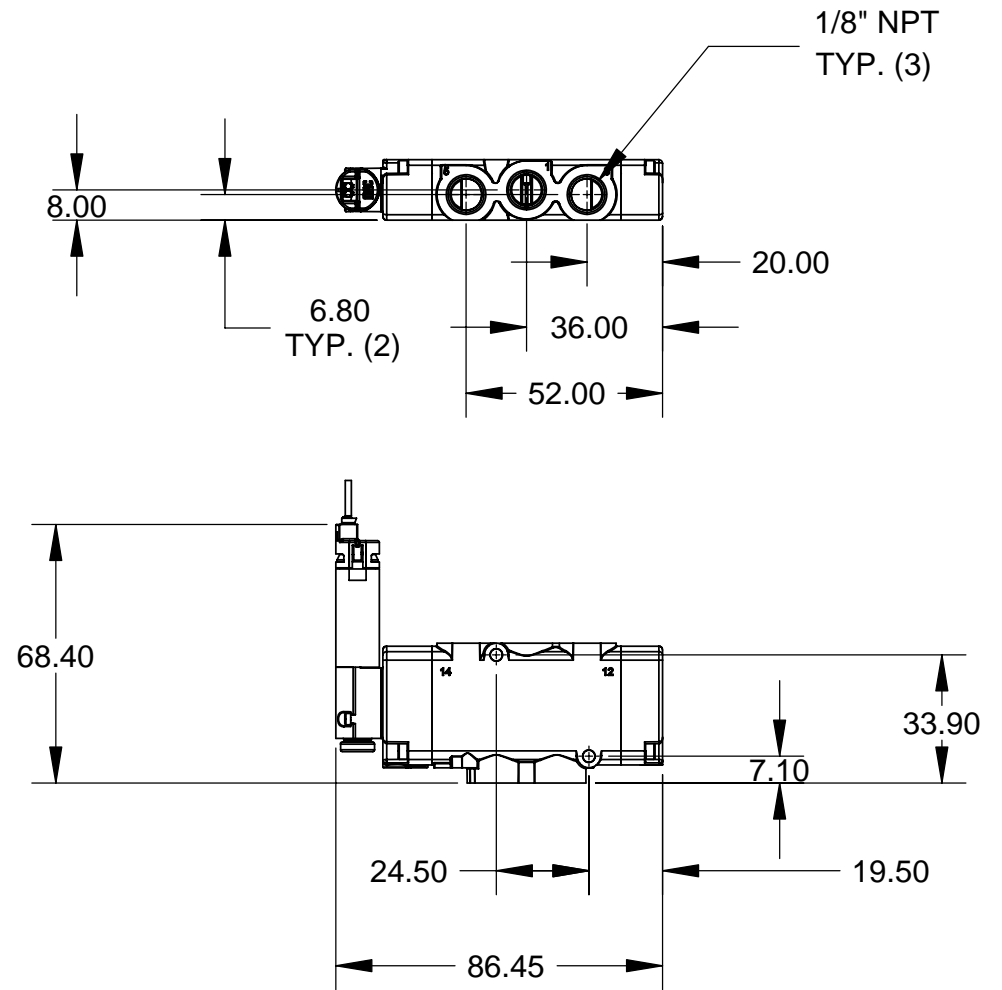
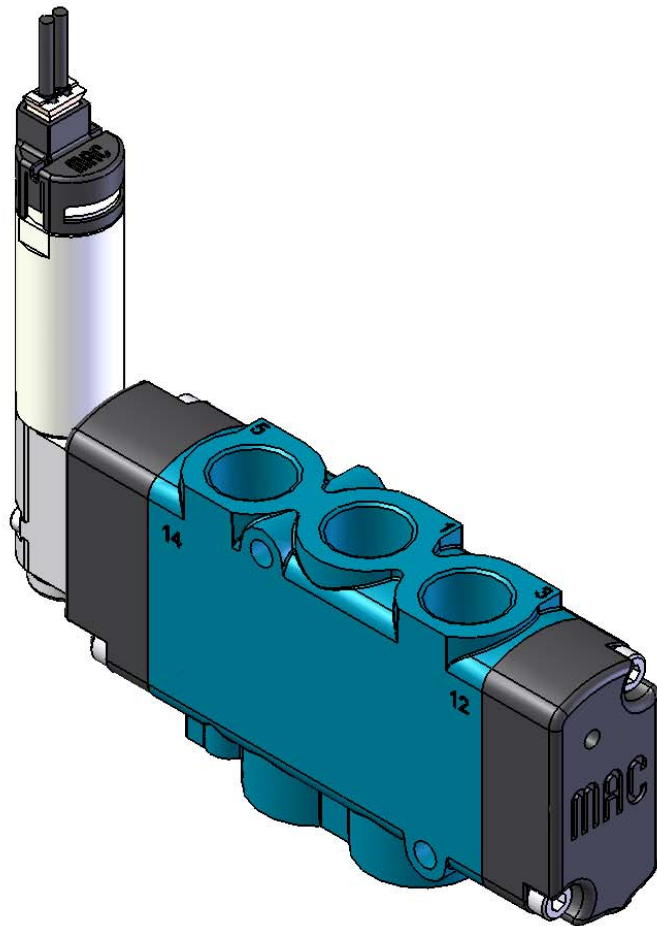
# 26 SERIES - INLINE VALVE WITH BULLET VALVE PILOT



# 26 SERIES - INLINE VALVE WITH BULLET VALVE PILOT



# 26 SERIES - INLINE VALVE WITH BULLET VALVE PILOT





# 26 SERIES - INLINE VALVE WITH BULLET VALVE PILOT

